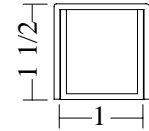
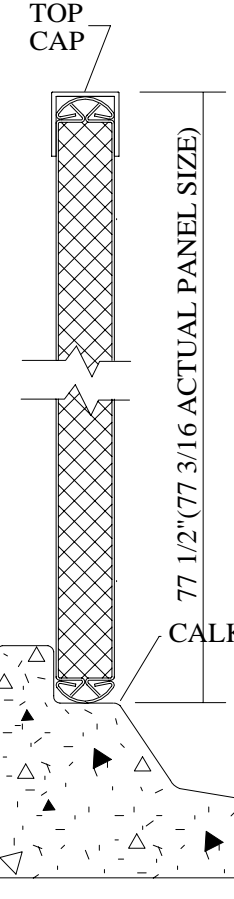


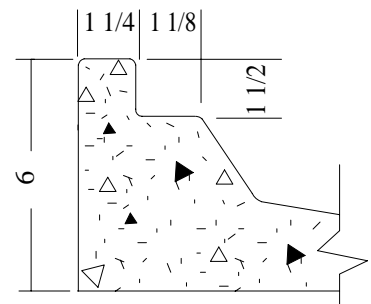
36"	3 25/32	25 15/16	3 25/32
32"	2 25/32	23 15/16	2 25/32



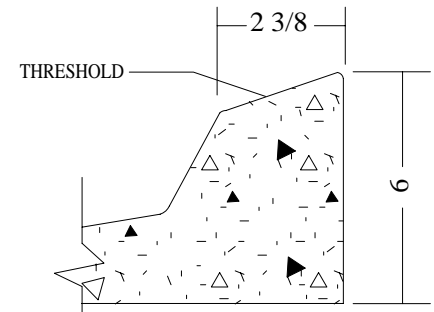
"U" CHANNEL FOR THRESHOLD OPENING



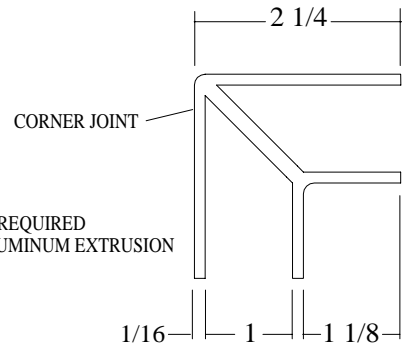
SECTION C-C



SECTION A-A



SECTION B-B



(4) REQUIRED ALUMINUM EXTRUSION

**ROCKVILLE
PARTITIONS
INCORPORATED**