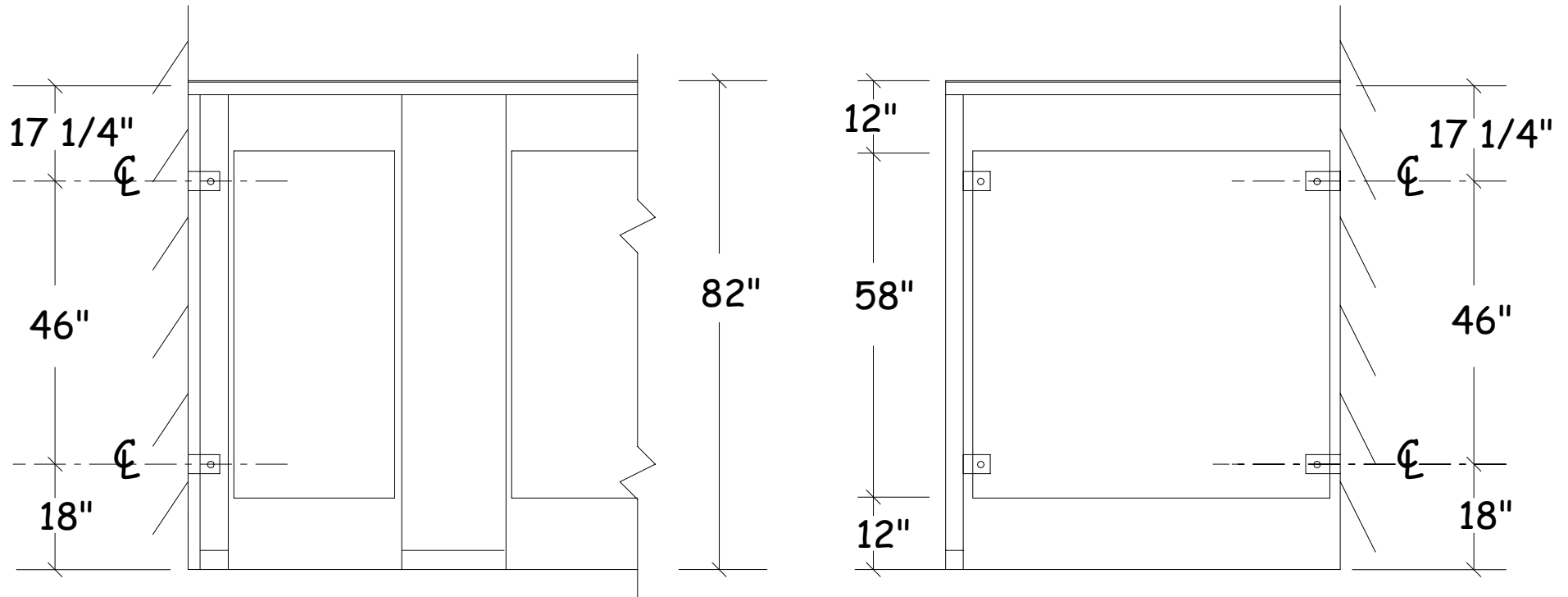


STAINLESS STEEL



Series OH - Typical elevation

Backing points for other than masonry walls indicated

**ROCKVILLE
PARTITIONS
INCORPORATED**