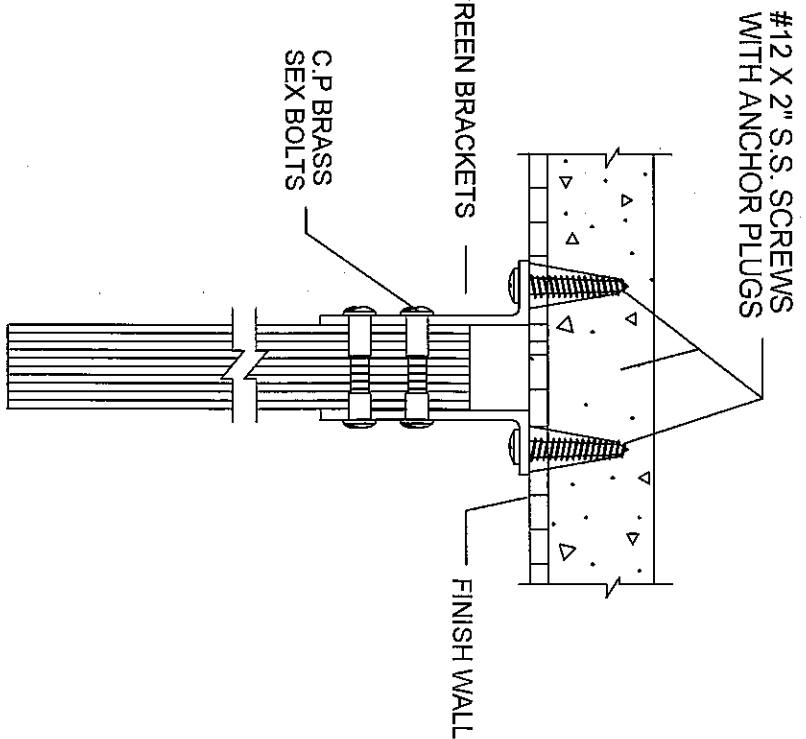


BACKING LOCATIONS



WHS-6 SPC URINAL SCREEN

ROCKVILLE PARTITIONS INCORPORATED