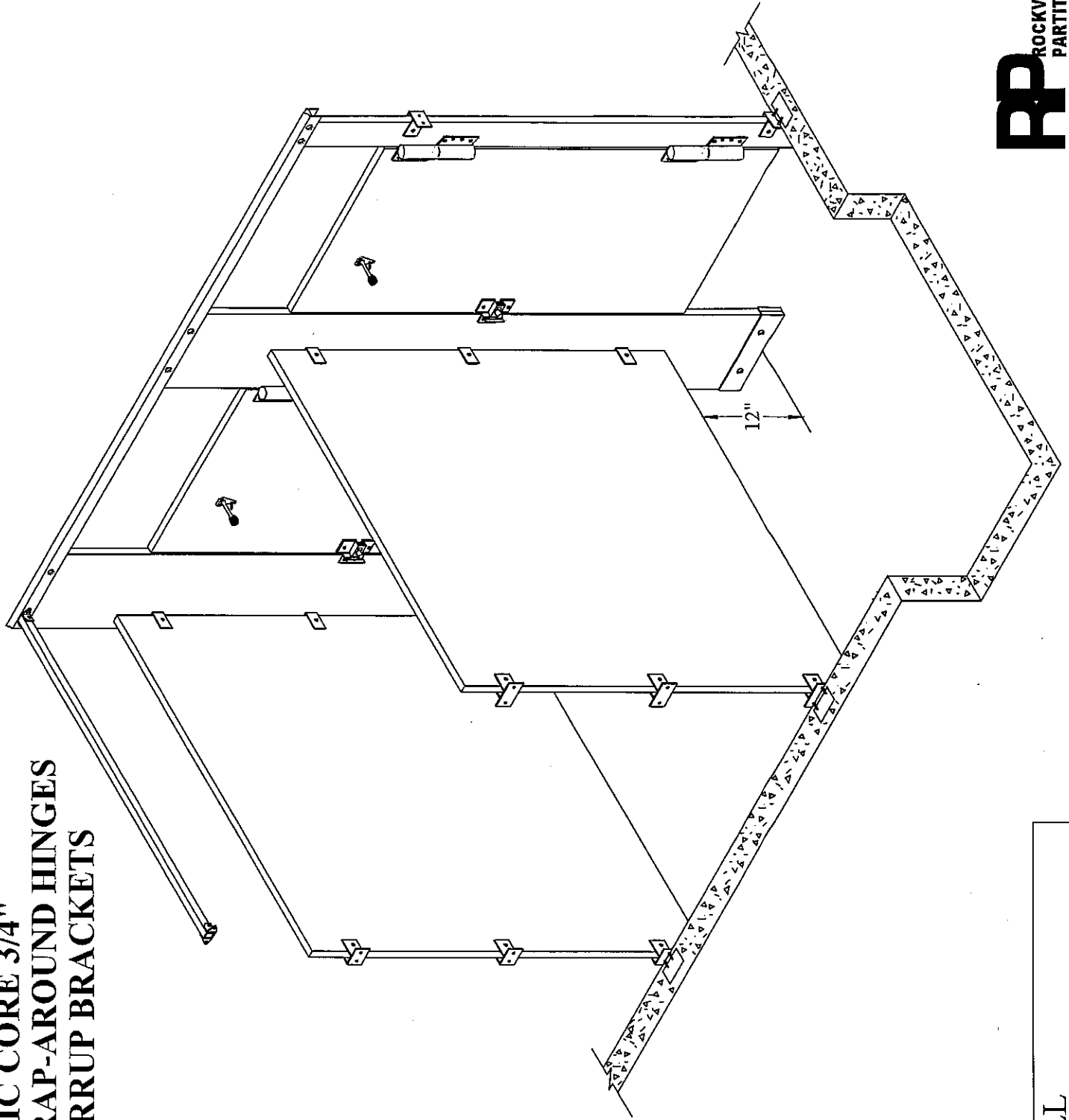
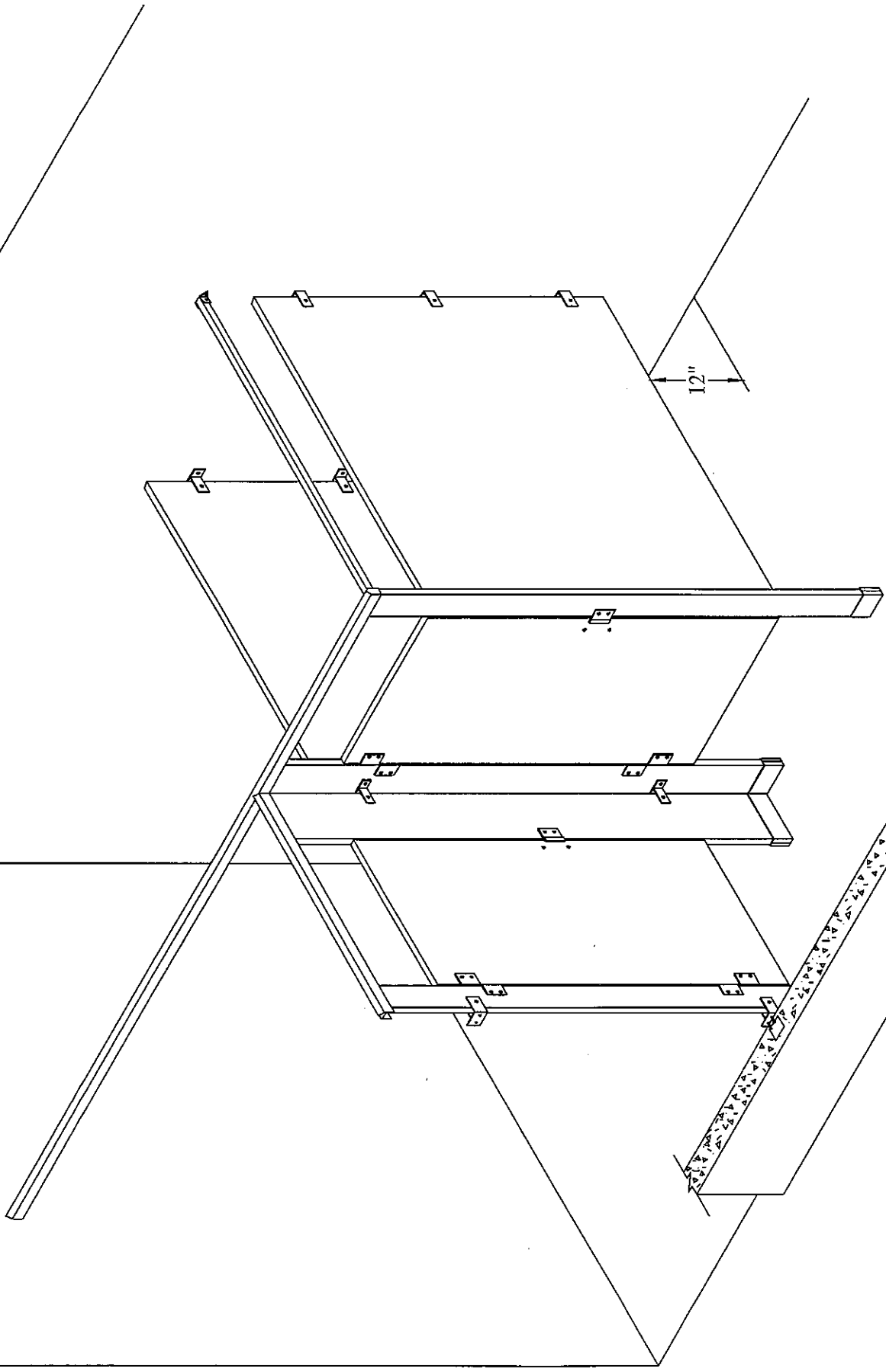


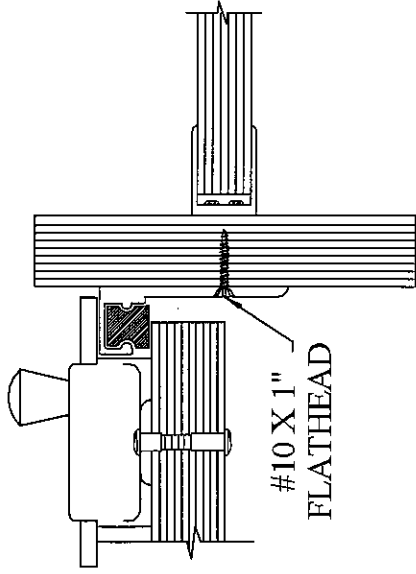
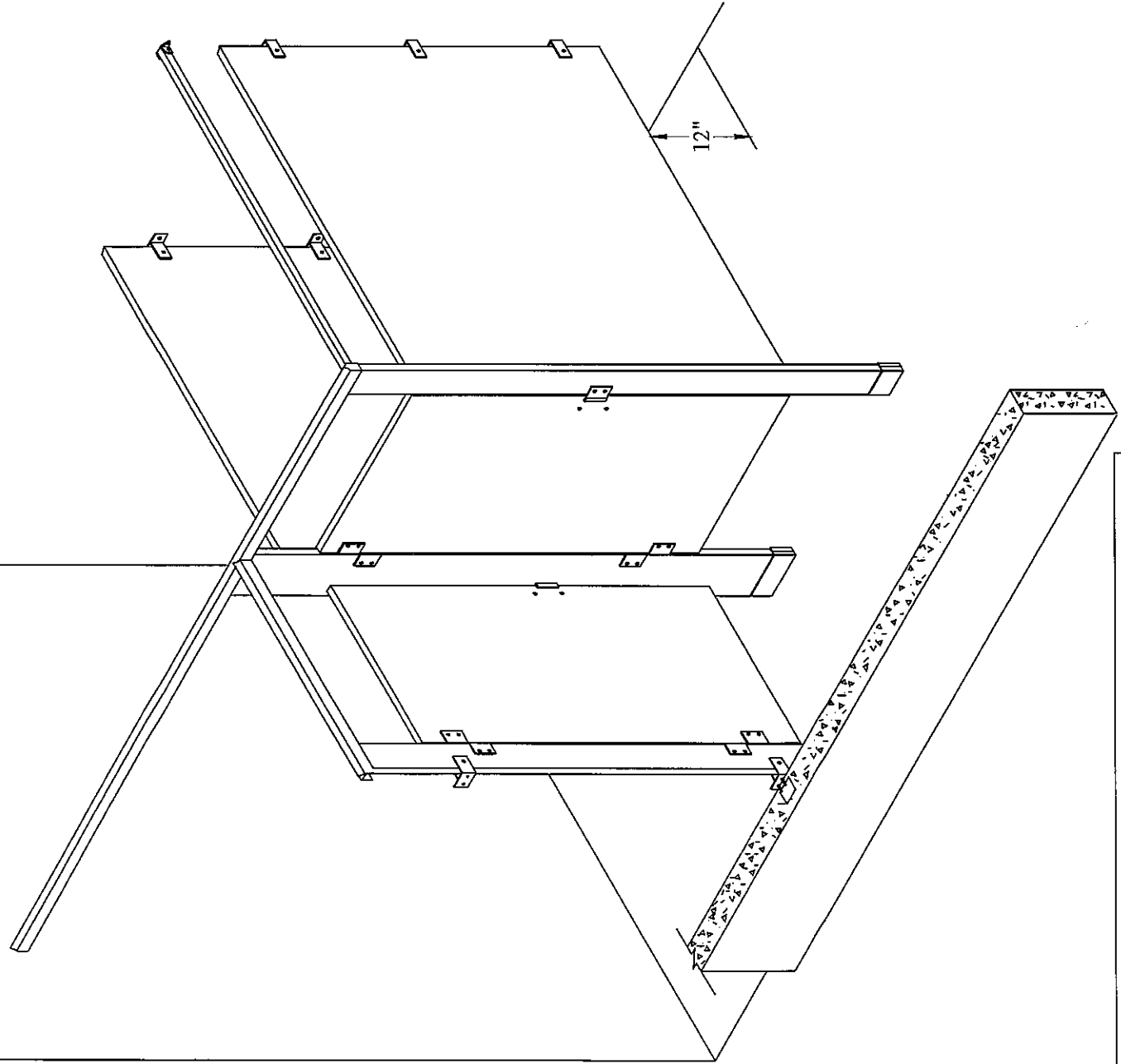
**SOLID PHENOLIC CORE 3/4"
ALUMINUM WRAP-AROUND HINGES
STANDARD STIRRUP BRACKETS**



**STANDARD STALL
INSTALLATION DETAIL**

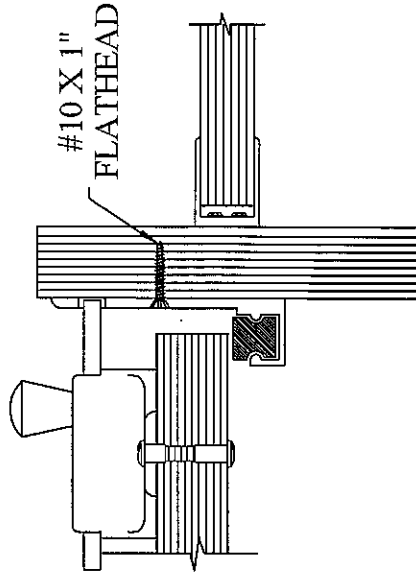


ALCOVE WITH ADJOINING STALL
INSTALLATION DETAIL



#10 X 1"
FLATHEAD

OUTSWING DOOR



#10 X 1"
FLATHEAD

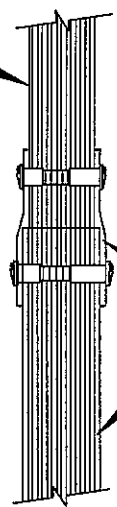
INSWING DOOR

ALCOVE WITH ADJOINING STALL w/
FLAT STRIKE INSTALLATION DETAIL



**ROCKVILLE
PARTITIONS**
25 Wann Circle, Piquette, AL 35765
Phone: (256) 451-1300 - Fax: (256) 451-1301

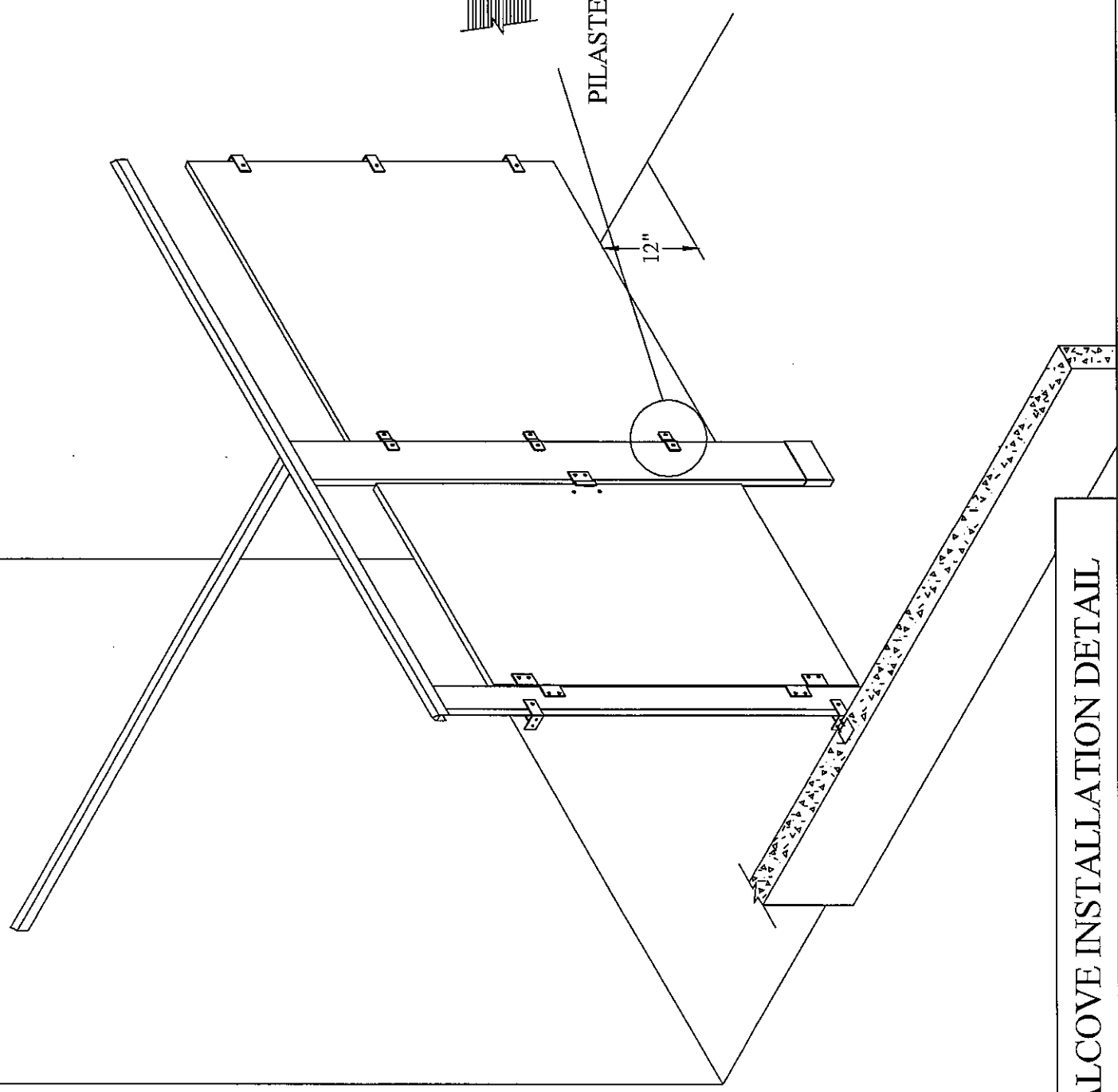
PANEL



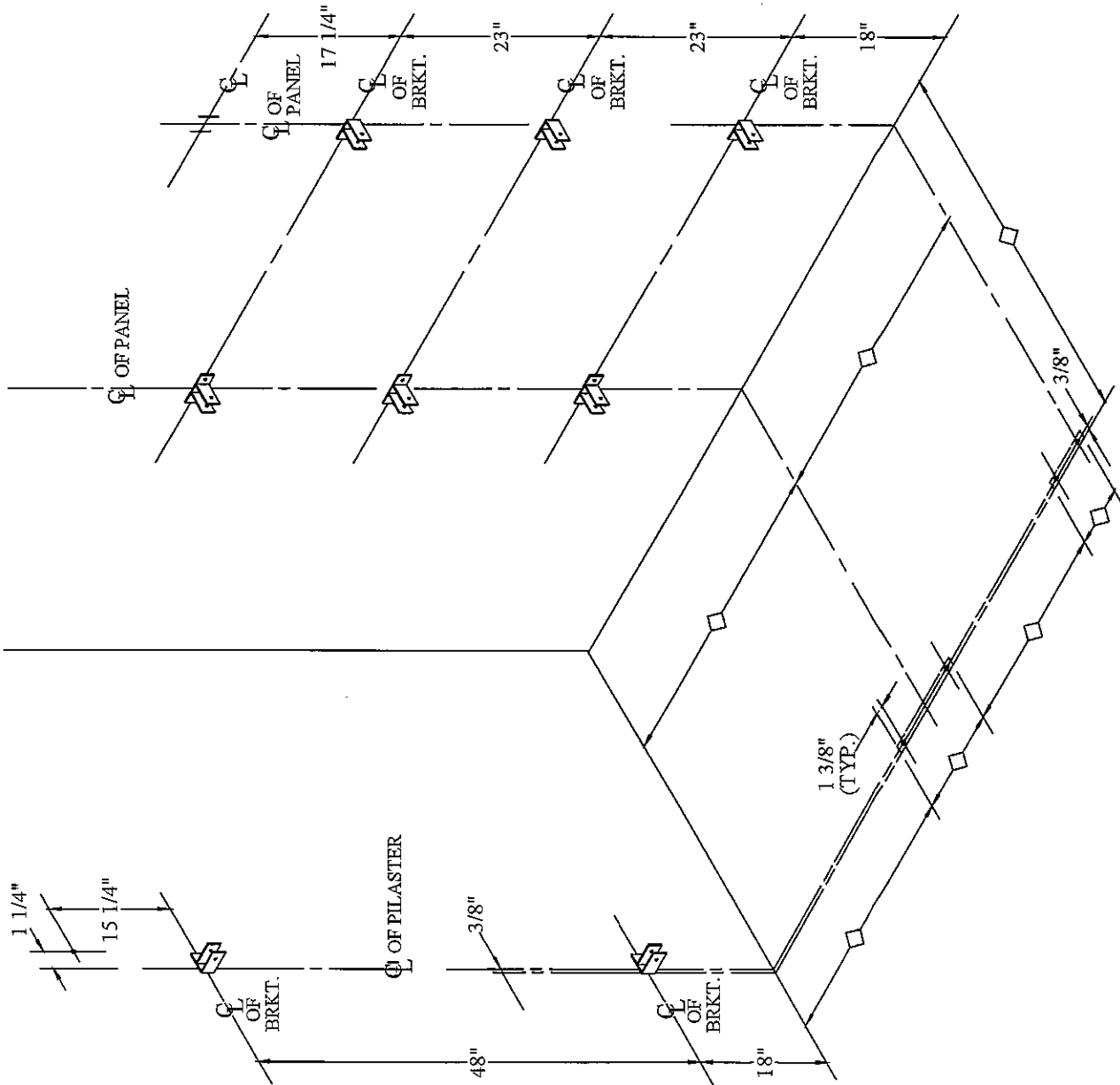
PILASTER

OFFSET BRACKET



12"



ALCOVE INSTALLATION DETAIL



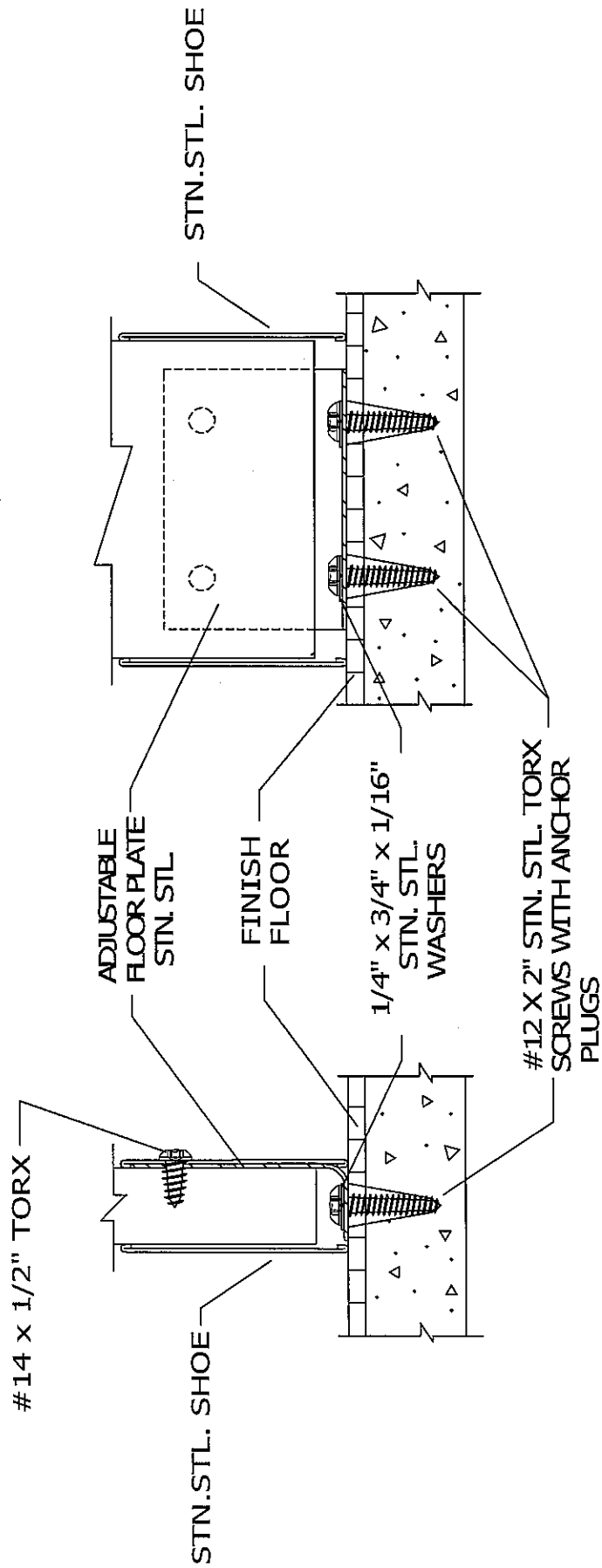
LEGEND

 Obtain From
 Job Prints.

LAYOUT AND MOUNTING
BRACKETS DETAIL

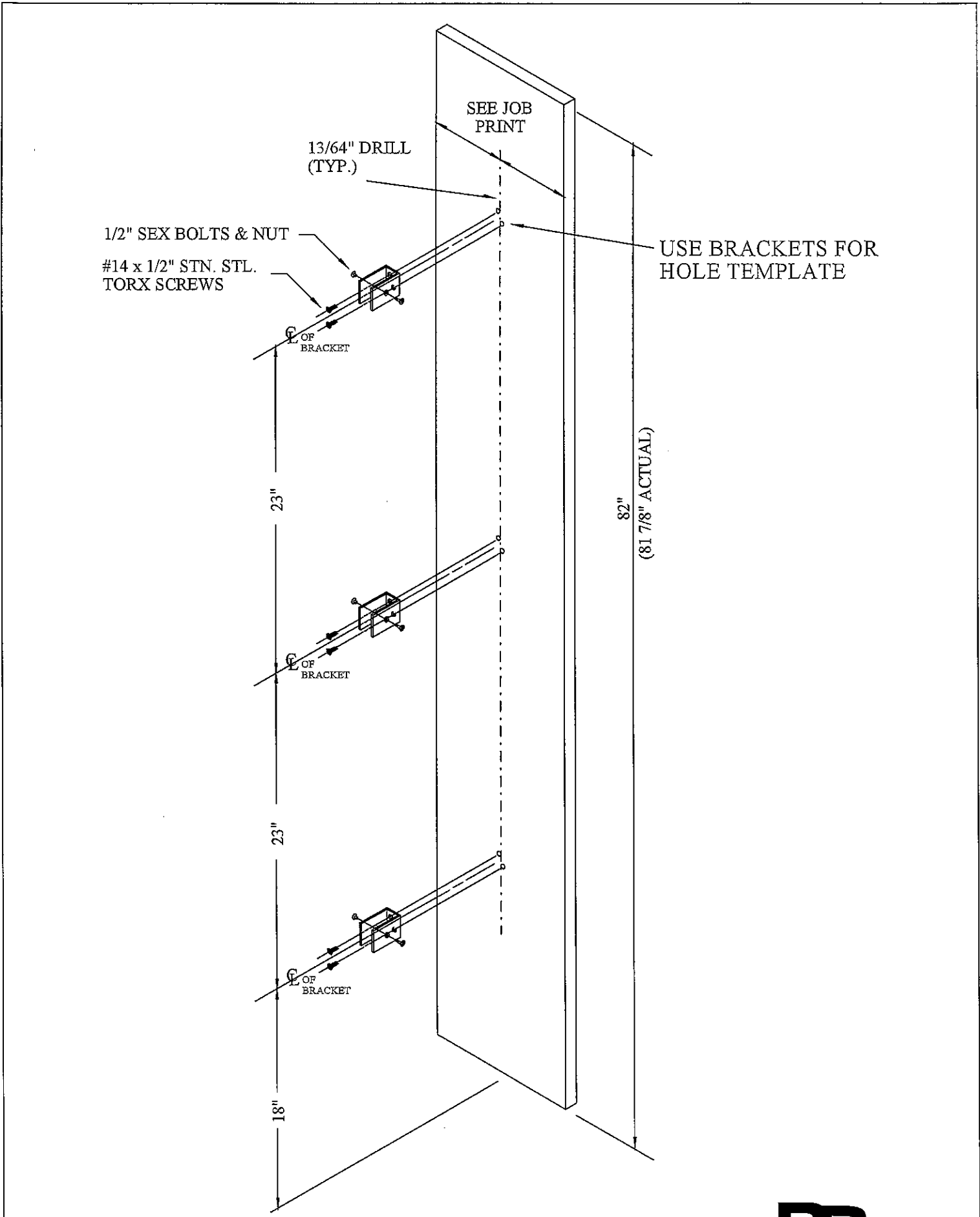
DIMENSIONS FOR DRILLING FLOOR FASTENERS

PILASTER SIZE	NO. OF HOLES	PIL. EDGE TO Ø OF DRILL	Ø TO Ø OF DRILL HOLES
2"	1	1"	—
3"	1	1 1/2"	—
4"	2	1 3/8"	1 1/4"
5"	2	1 3/8"	2 1/4"
6"	2	1 3/8"	3 1/4"
8"	2	1 3/8"	5 1/4"
10"	2	1 3/8"	7 1/4"
12"	2	1 3/8"	9 1/4"
14"	2	1 3/8"	11 1/4"
18"	2	1 3/8"	15 1/4"
24"	2	1 3/8"	21 1/4"



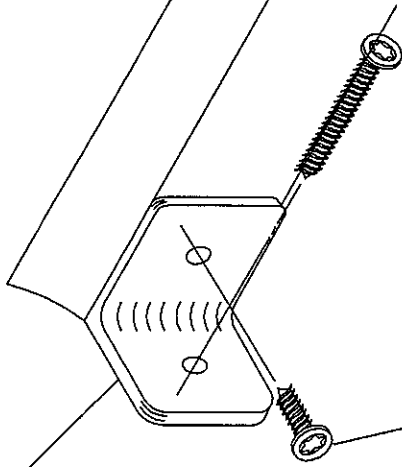
SOLID PHENOLIC CORE FLOOR CONNECTION DETAIL

FLOOR CONNECTION DETAIL



PANEL TO PILASTER
ATTACHMENT DETAIL

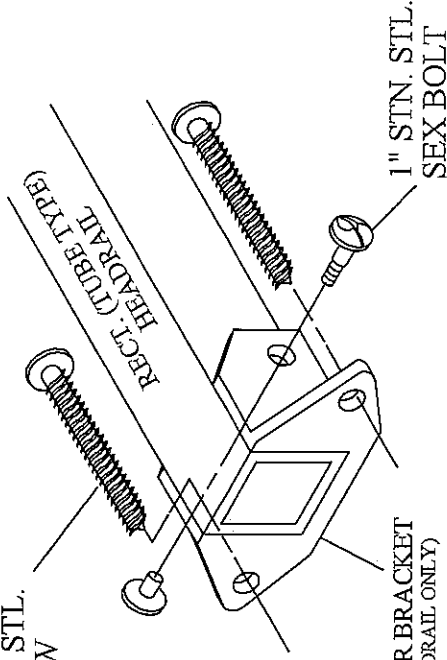
#4040S ANGLE BRACKET WITH (1) #12 x 2" STN. STL. TORX SCREW & ANCHOR PLUG @ WALL, AND (1) #14 x 1/2" STN. STL. TORX.



#14 x 1/2" STN. STL. TORX SCREW

DETAIL "A"

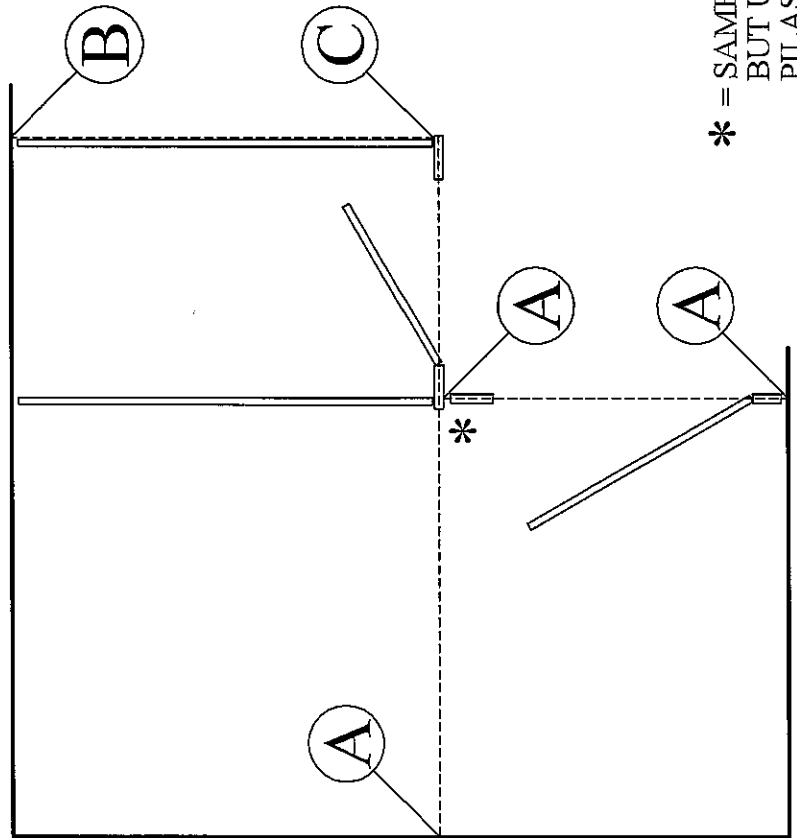
#12 x 2" STN. STL. TORX SCREW



#4340 CHAIR BRACKET (RECT. HEADRAIL ONLY)

1" STN. STL. SEX BOLT

DETAIL "B"



CROWN (ANTIGRIP TYPE) HEADRAIL

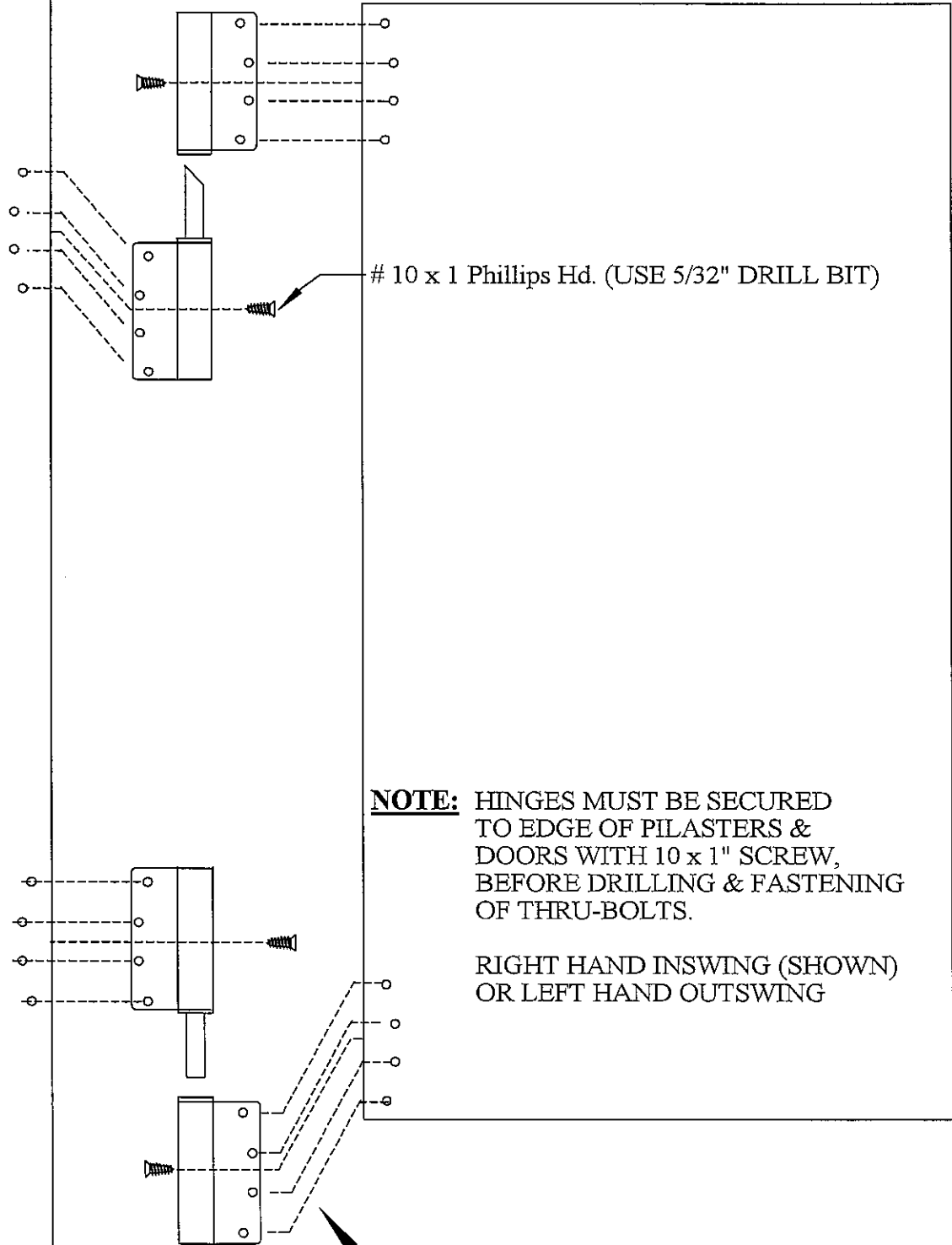
#4340 CHAIR BRACKET (RECT. HEADRAIL ONLY)

#14 x 1/2" - SPC

1" STN. STL. SEX BOLT

DETAIL "C"

* = SAME CONNECTION AS DETAIL "A" BUT USE #14 x 1/2" SCREWS INTO PILASTER

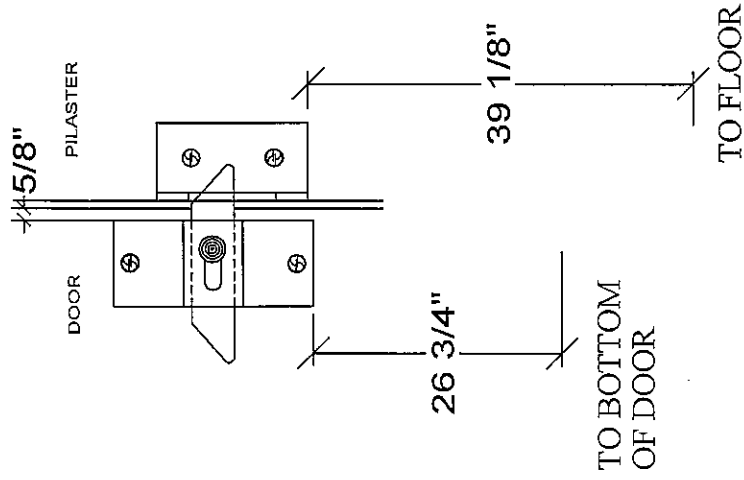


10 x 1 Phillips Hd. (USE 5/32" DRILL BIT)

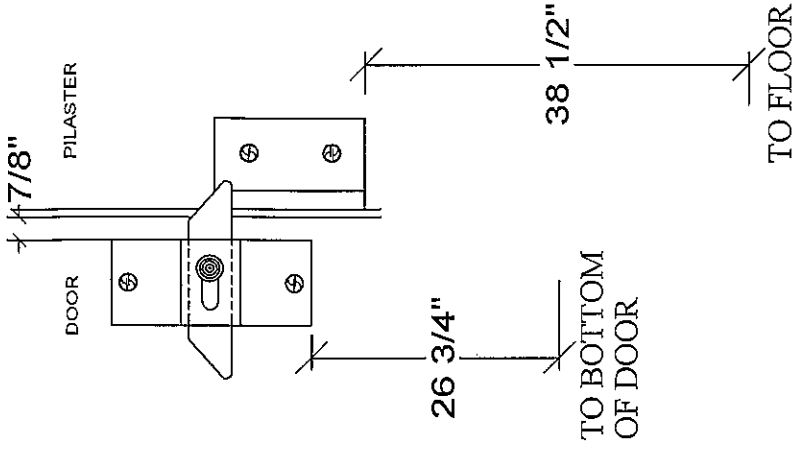
NOTE: HINGES MUST BE SECURED TO EDGE OF PILASTERS & DOORS WITH 10 x 1" SCREW, BEFORE DRILLING & FASTENING OF THRU-BOLTS.

RIGHT HAND INSWING (SHOWN) OR LEFT HAND OUTSWING

SECURE BOTTOM DOOR HINGE AFTER DOOR IS HUNG ON PILASTER.



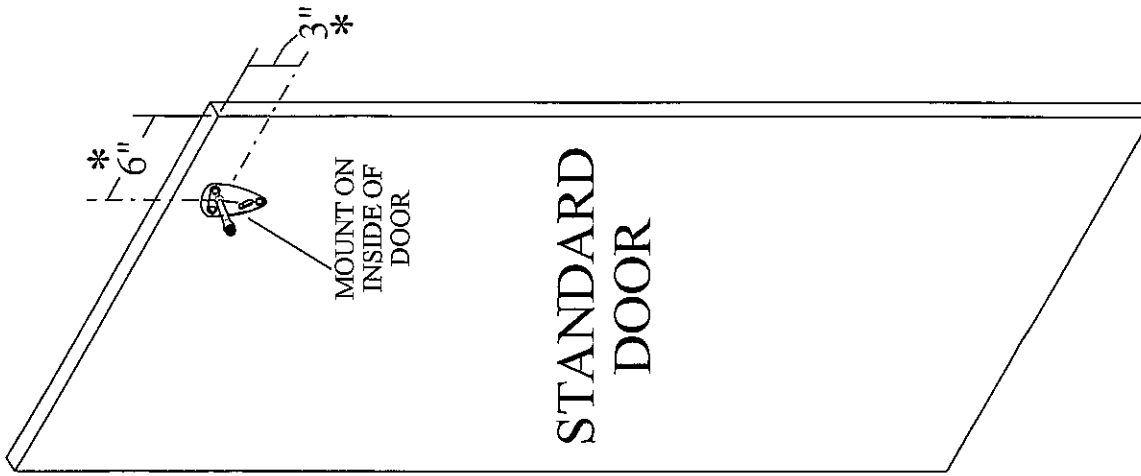
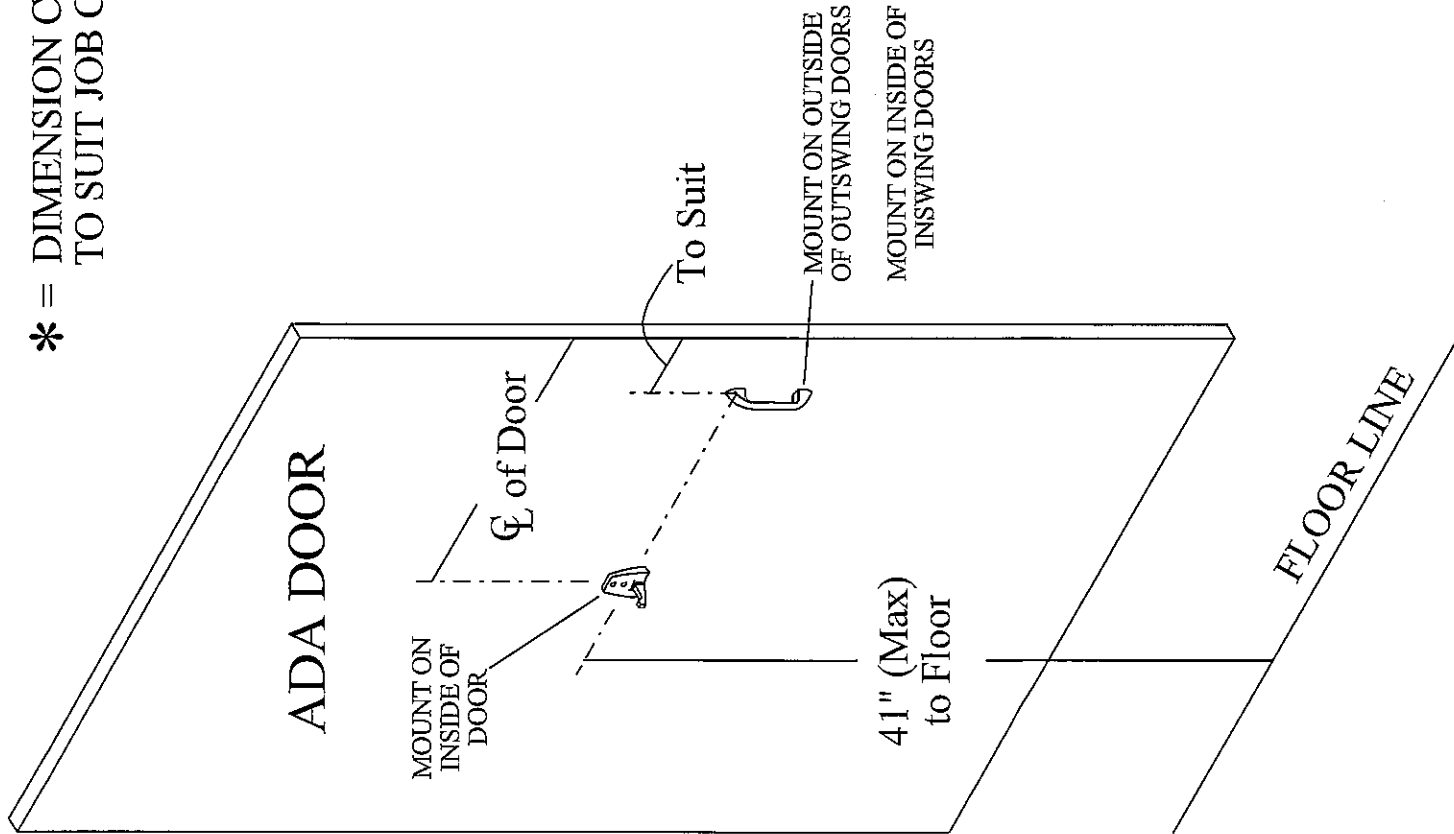
INSWING DOORS

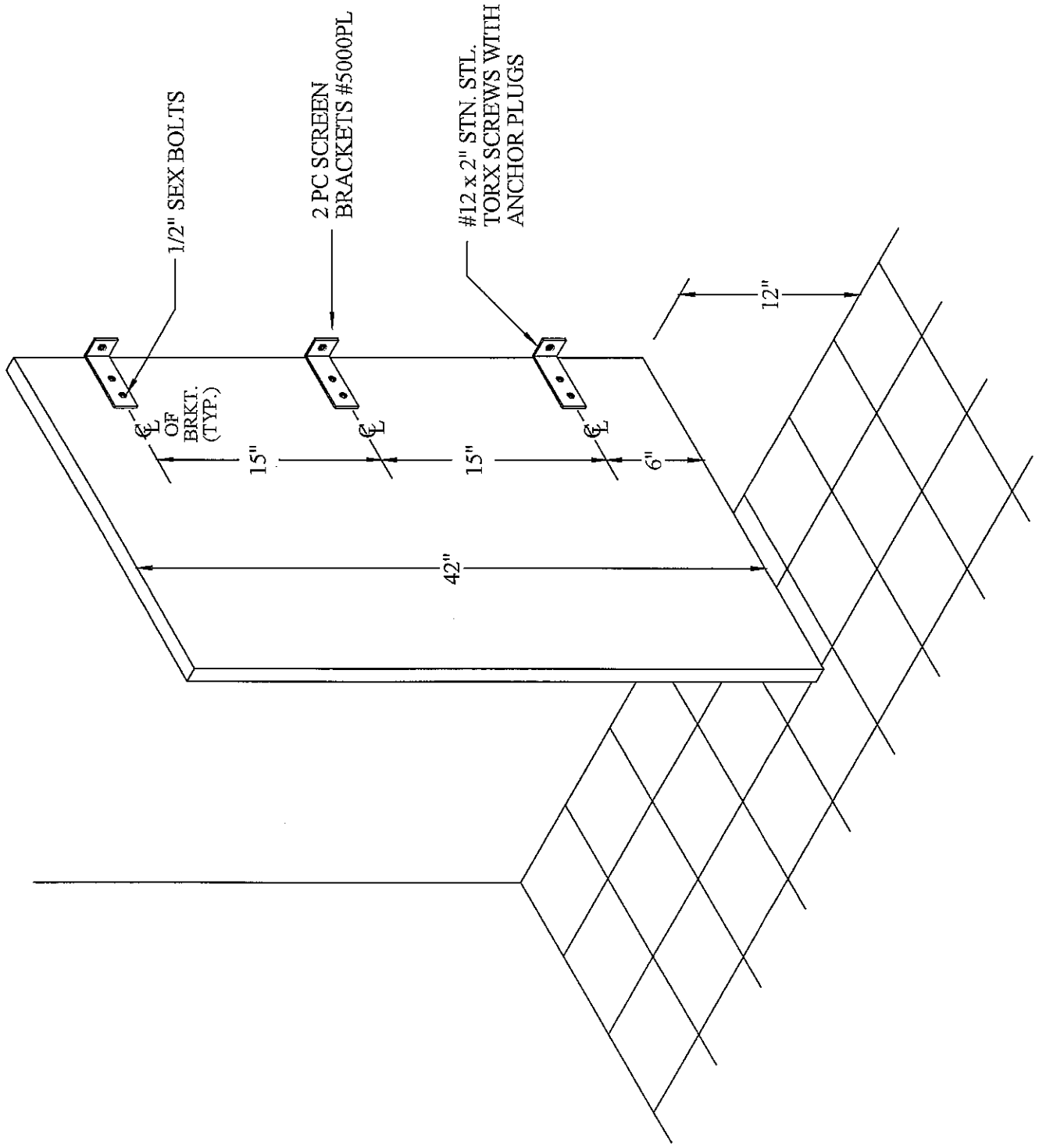


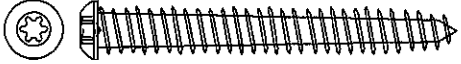
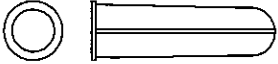

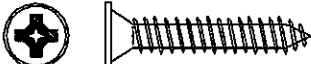

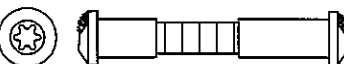



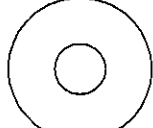
OUTSWING DOORS

SLIDE LATCH & KEEPER
MOUNTING LOCATIONS

* = DIMENSION CAN VARY TO SUIT JOB CONDITION





	<p>2" STAINLESS STEEL TORX HEAD #12 SCREW- used for bracket-to-wall attachment, pilaster to floor attachment and headrail bracket-to-wall attachment. Drill 1/4" hole.</p>
	<p>PLASTIC ANCHOR- used in conjunction with the 2" x #12 screws.</p>
	<p>1/2" STAINLESS STEEL TORX HEAD #14 SCREW- used for "U" brackets on back of pilasters, back of headrail at top of pilaster, pilaster shoe-to pilaster and angle bracket to anti-grip headrail. Drill 13/64" hole.</p>
	<p>1" STAINLESS STEEL #10 HINGE SCREW- used for securing the hinges to the edges of the pilasters. Drill 5/32" hole.</p>
	<p>5/8" STAINLESS STEEL #10 ONE-WAY SCREW- used for attaching the coat hook and for attachment of the wall stop on outswing doors. Drill 11/64" hole.</p>
	<p>1" STAINLESS STEEL TORX #10 THRU-BOLT- used for headrail-to-chair bracket. Drill 1/4" hole.</p>
	<p>3/4" STAINLESS STEEL TORX #10 THRU-BOLT- used for brackets-to-pilaster and the following door hardware: hinges, latches, strikes and keepers. Drill 1/4" hole.</p>
	<p>1/2" STAINLESS STEEL TORX #10 THRU-BOLT- used for bracket-to-panel. Drill 1/4" hole.</p>
	<p>#14 x 1" SCREW- used for attachment of headrail block to pilaster at alcove connection. Drill 5/32" hole.</p>
	<p>1/4" x 3/4" x 1/16" STAINLESS STEEL WASHER- used for attachment of floor plate.</p>