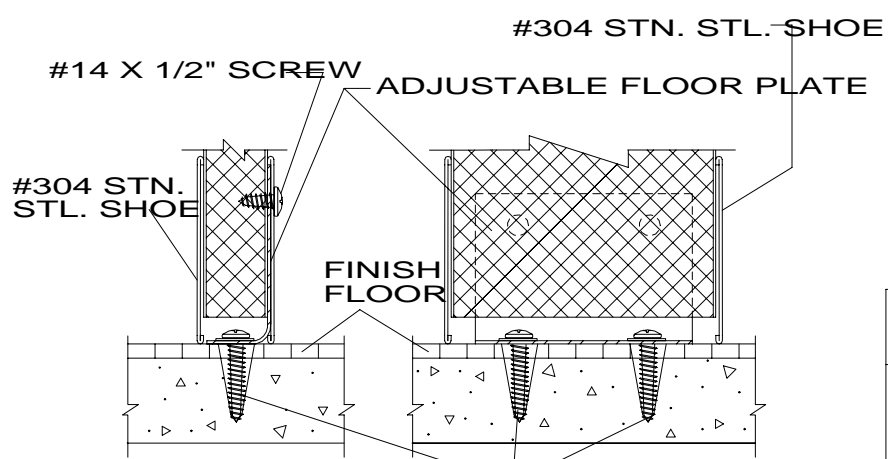
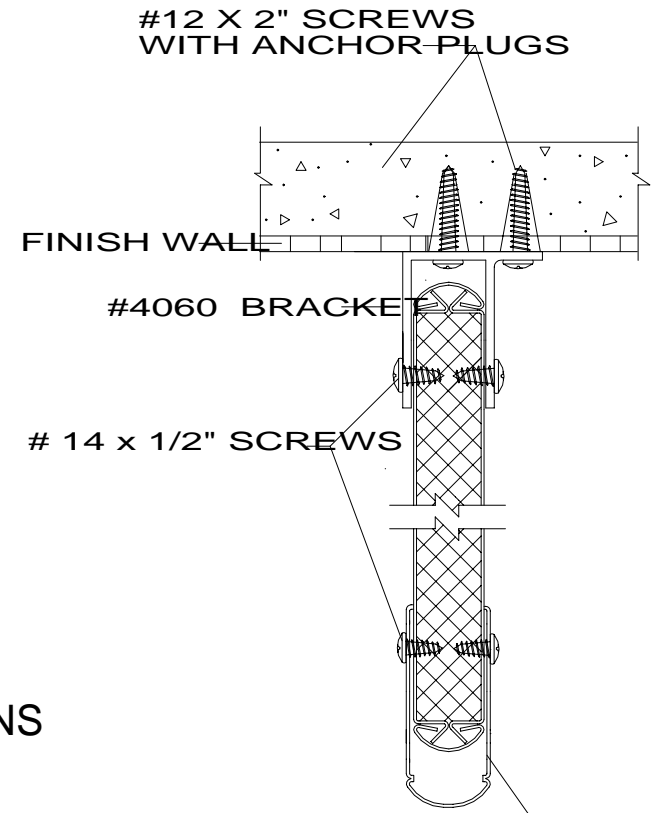


BACKING LOCATIONS



#12 X 1 1/2" SCREWS WITH ANCHOR PLUGS

OH-5 FLOOR CONNECTION

FSH-1 B.E. URINAL SCREE

**ROCKVILLE
PARTITIONS
INCORPORATED**