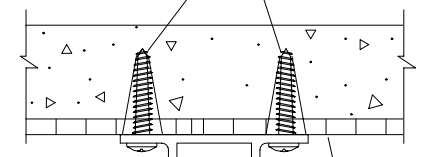


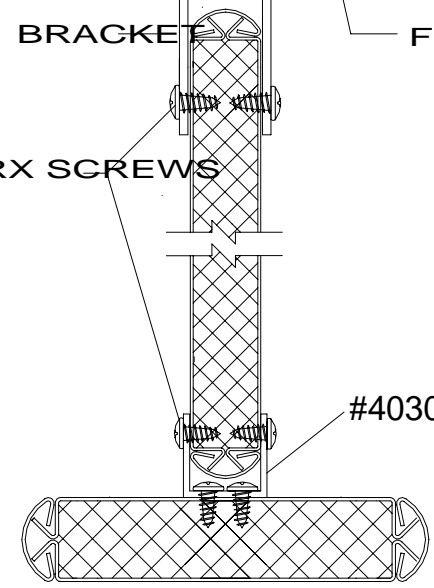
BACKING LOCATIONS

#12 X 2" TORX. SCREWS WITH ANCHOR PLUGS

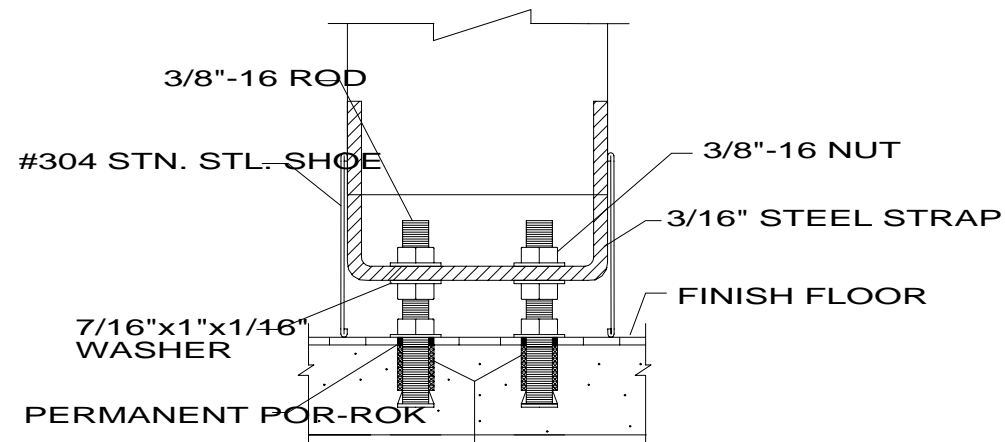


#4000 BRACKET FINISH WALL

14 x 1/2" TORX SCREWS



#4030 "U" BRACKE



FM-1 FLOOR CONNECTION

FBS-1 B.E. URINAL SCREE

**ROCKVILLE
PARTITIONS
INCORPORATED**