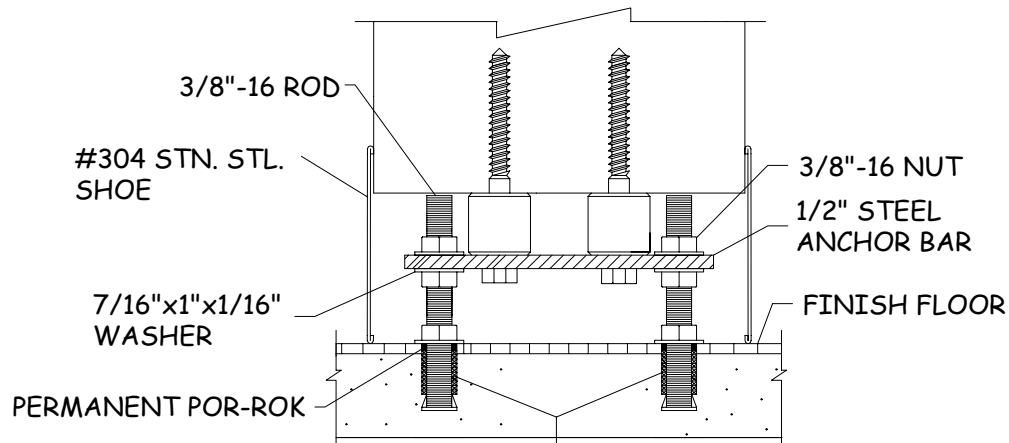
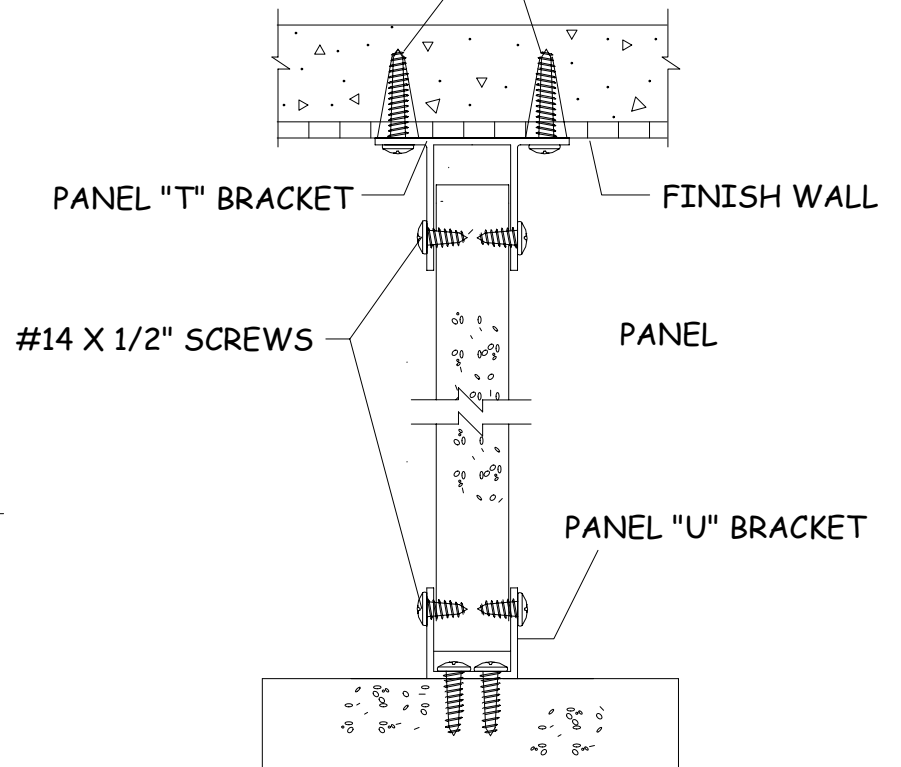


BACKING LOCATIONS

#12 X 2" SCREWS  
WITH ANCHOR PLUGS



RAWL CALK-IN  
3/8"-16  
FM-4 FLOOR CONNECTION

FBS-4 PL URINAL SCREEN

**ROCKVILLE  
PARTITIONS  
INCORPORATED**