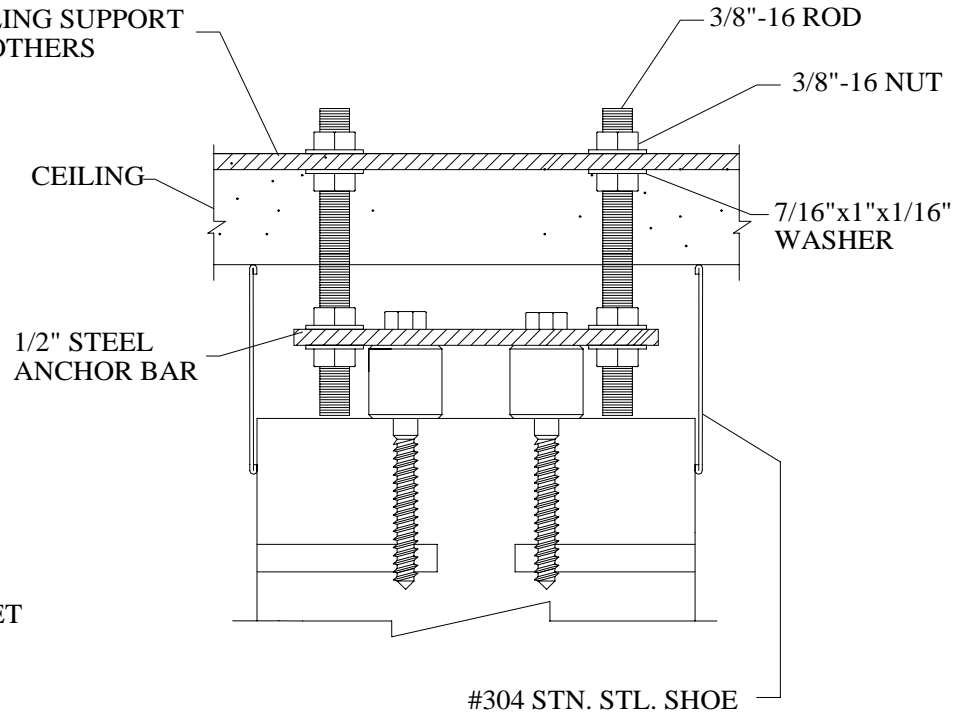


CEILING SUPPORT BY OTHERS



CH-4 CEILING CONNECTION

NOTE: MINIMUM SIZE PILASTER IS 8" EXCEPT AT WALL WHERE ANY STANDARD SIZE MAY BE USED.

SERIES CH-4 CONSTRUCTION DETAILS

**ROCKVILLE  
PARTITIONS  
INCORPORATED**