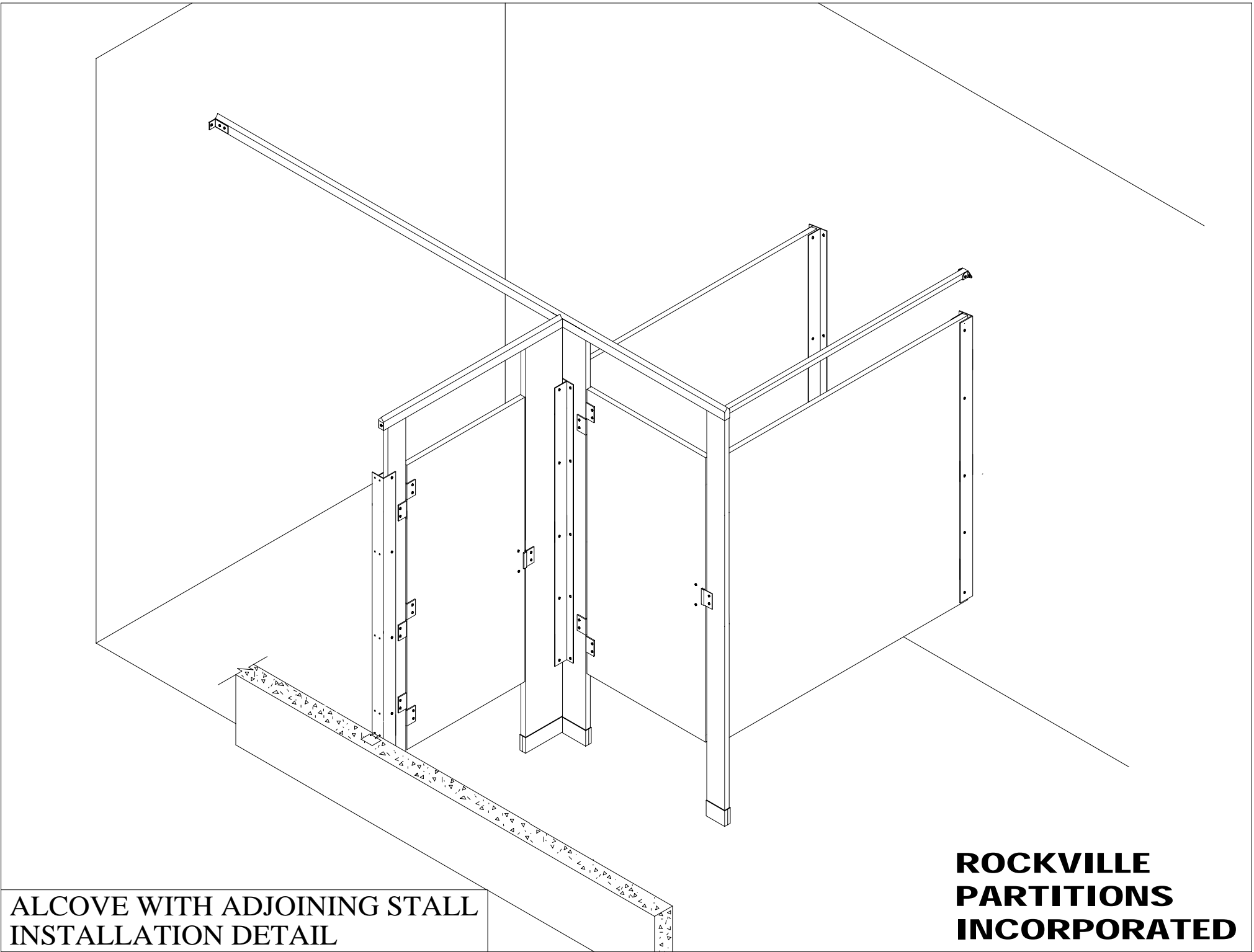


* NOTE:
ALUMINUM HEAT SINC STRIP TO BE MOUNTED
AT BOTTOM OF PANELS & DOORS.

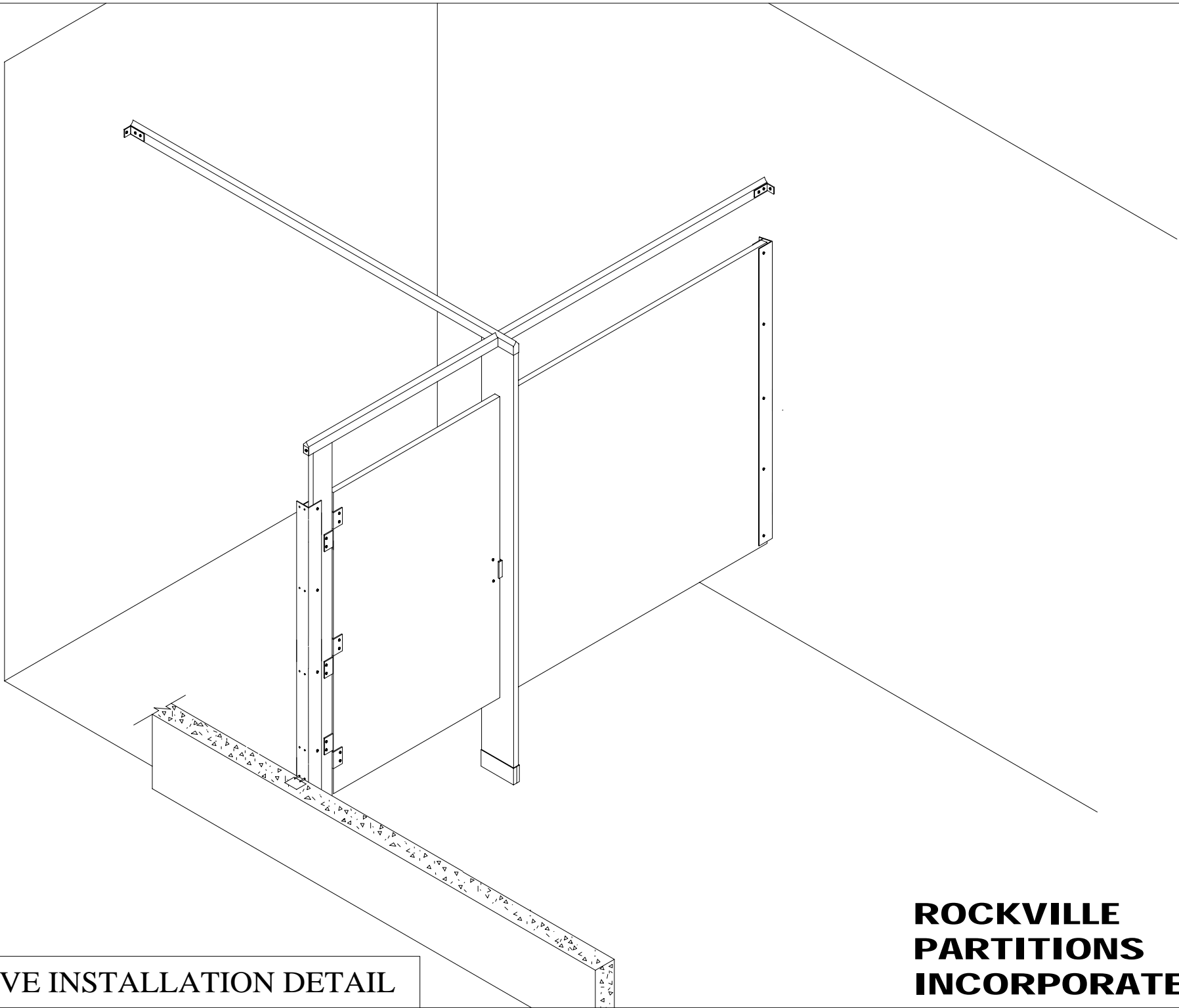
STANDARD STALL
INSTALLATION DETAIL

**ROCKVILLE
PARTITIONS
INCORPORATED**



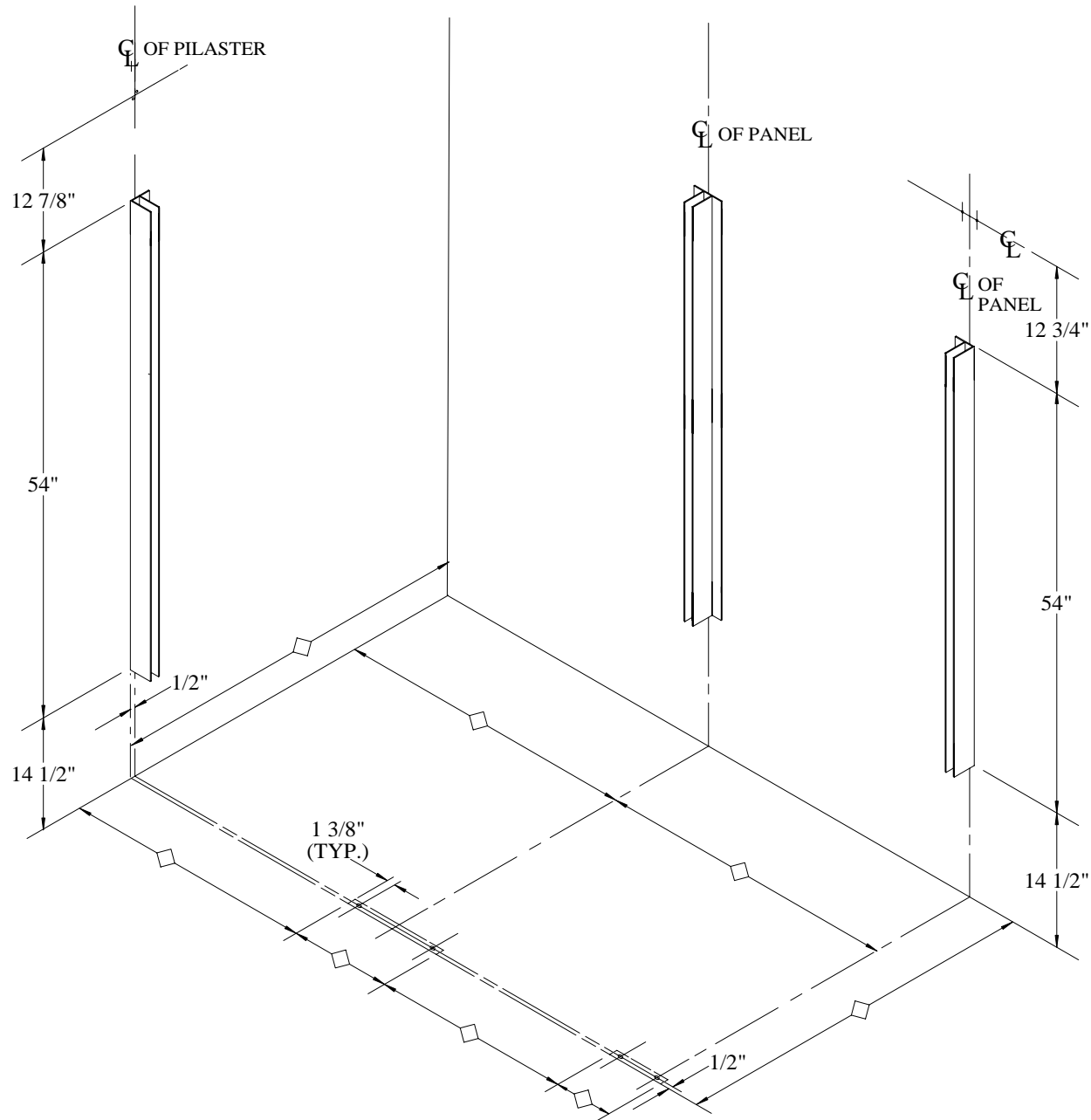
ALCOVE WITH ADJOINING STALL
INSTALLATION DETAIL

**ROCKVILLE
PARTITIONS
INCORPORATED**

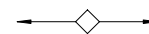


ALCOVE INSTALLATION DETAIL

**ROCKVILLE
PARTITIONS
INCORPORATED**



LEGEND

 Obtain From Job Prints.

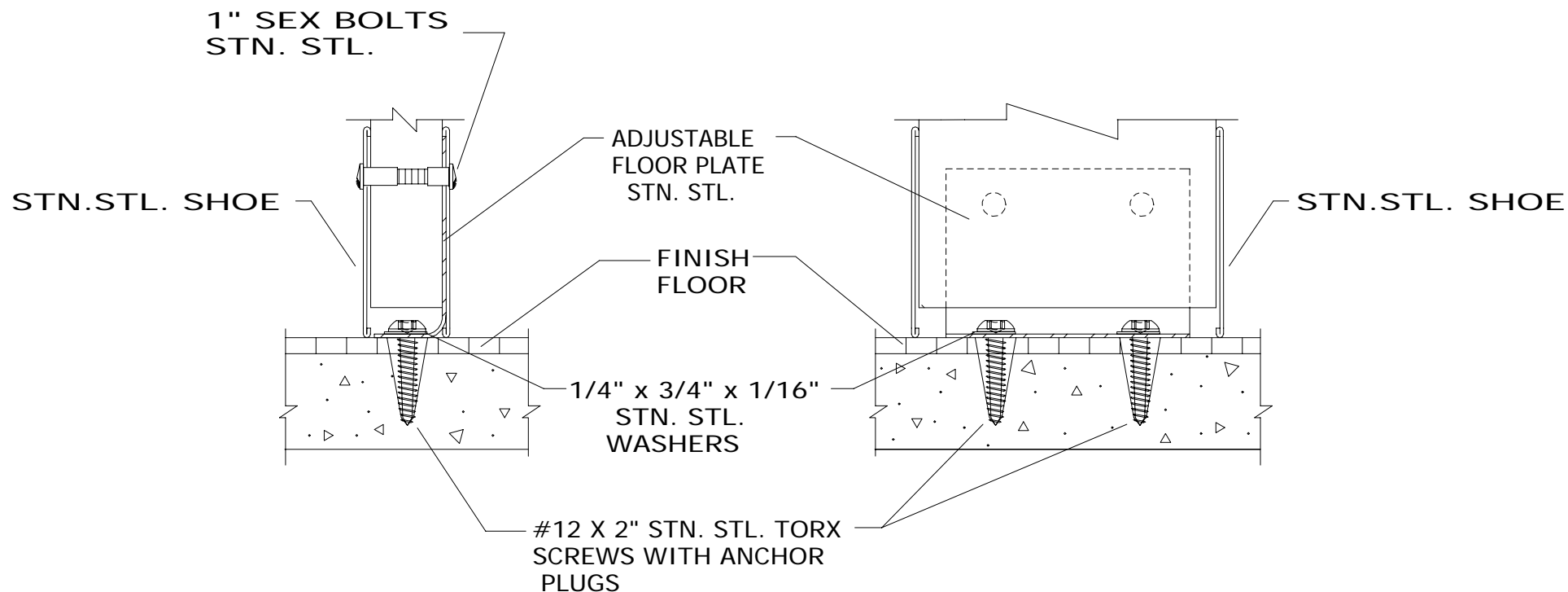
LAYOUT AND MOUNTING
BRACKETS DETAIL

55" HIGH DOORS & PANELS

**ROCKVILLE
PARTITIONS
INCORPORATED**

**DIMENSIONS FOR DRILLING
FLOOR FASTENERS**

PILASTER SIZE	NO. OF HOLES	PIL. EDGE TO ϕ OF DRILL	ϕ TO ϕ OF DRILL HOLES
2"	1	1"	—
3"	1	1 1/2"	—
4"	2	1 3/8"	1 1/4"
5"	2	1 3/8"	2 1/4"
6"	2	1 3/8"	3 1/4"
8"	2	1 3/8"	5 1/4"
10"	2	1 3/8"	7 1/4"
12"	2	1 3/8"	9 1/4"
14"	2	1 3/8"	11 1/4"
18"	2	1 3/8"	15 1/4"
24"	2	1 3/8"	21 1/4"



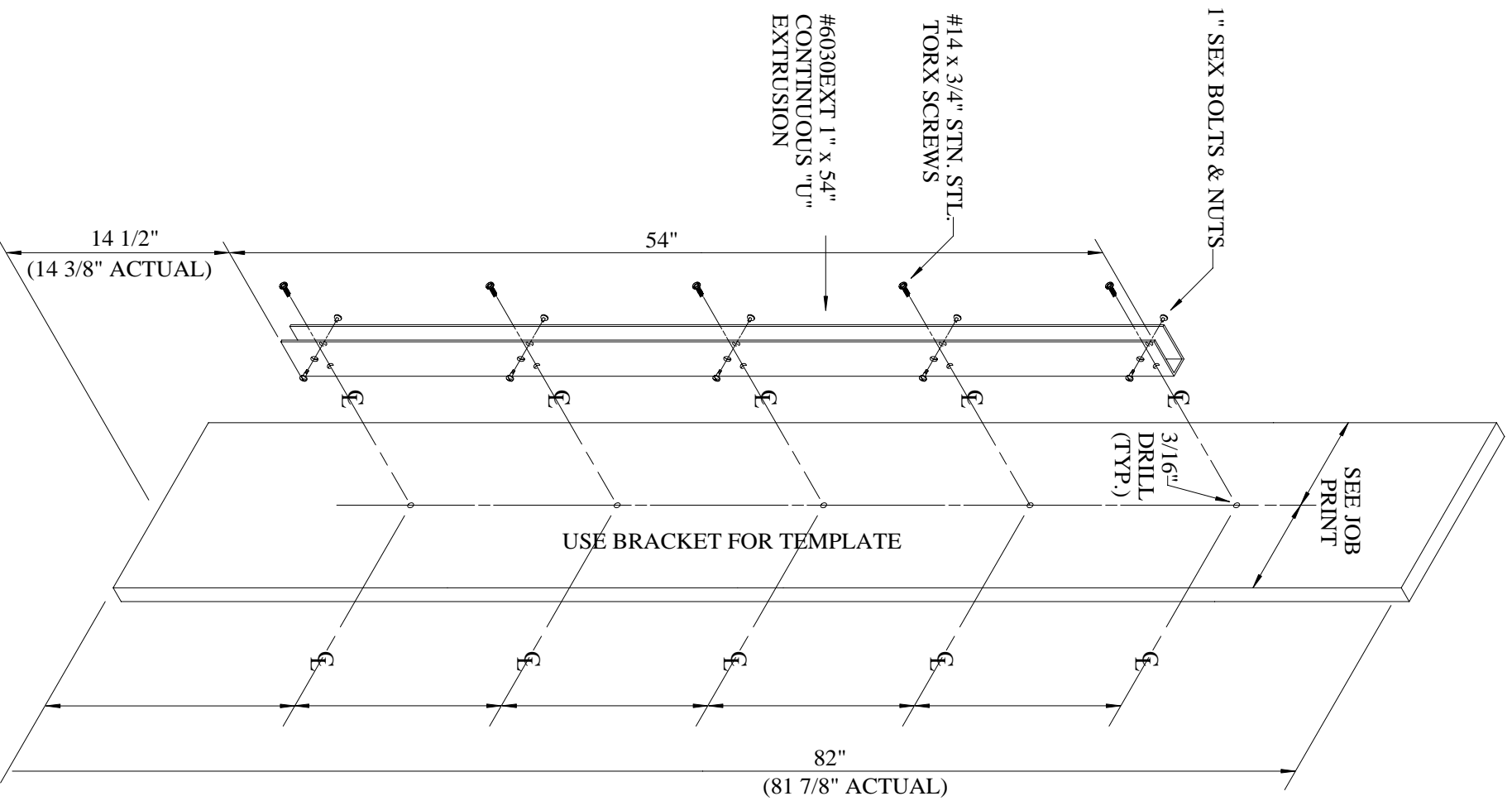
FLOOR CONNECTION

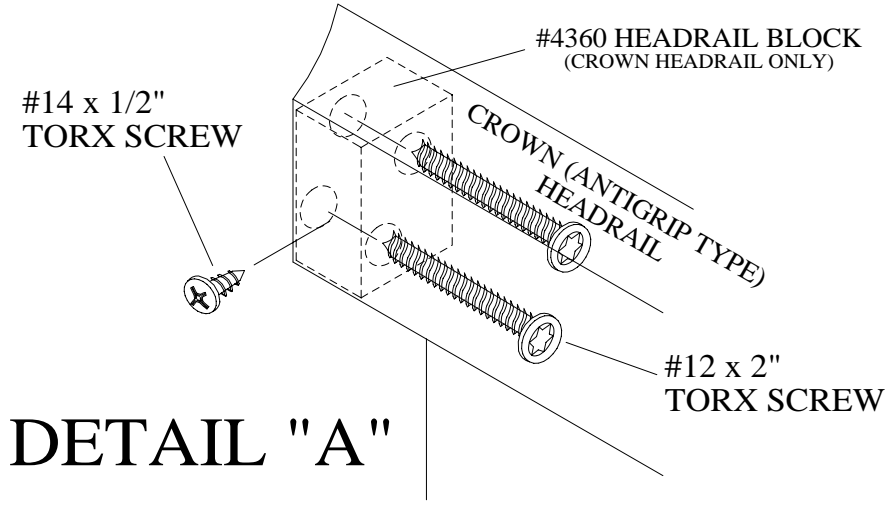
**ROCKVILLE
PARTITIONS
INCORPORATED**

**PANEL TO PILASTER
ATTACHMENT DETAIL**

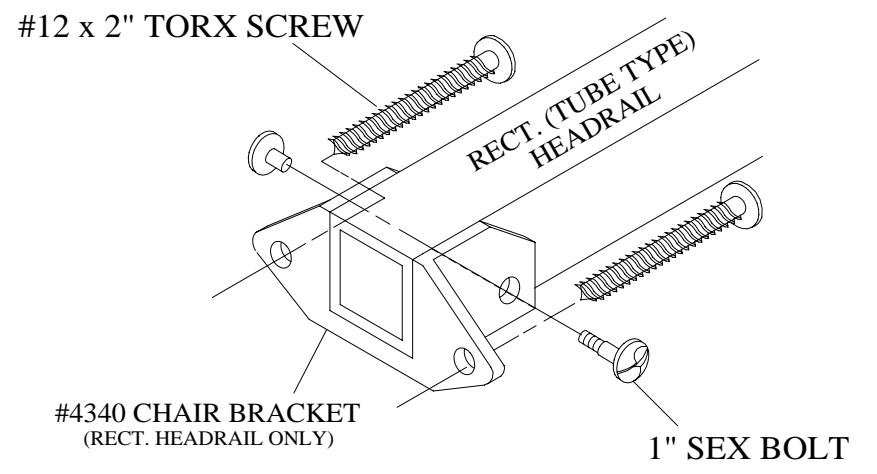
55" HIGH PANELS & DOORS

**ROCKVILLE
PARTITIONS
INCORPORATED**

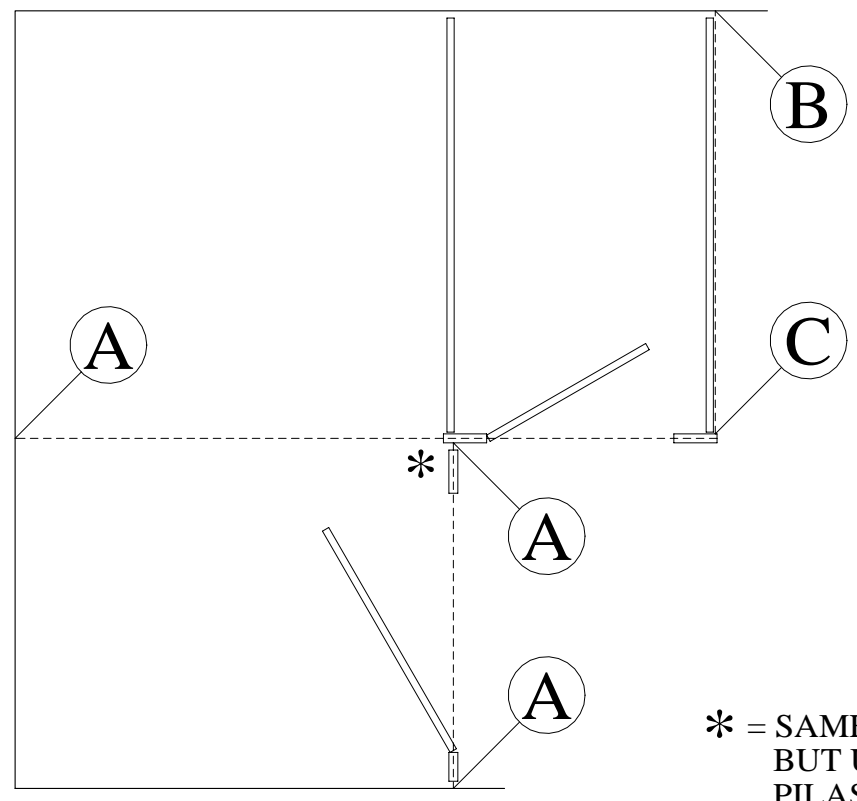




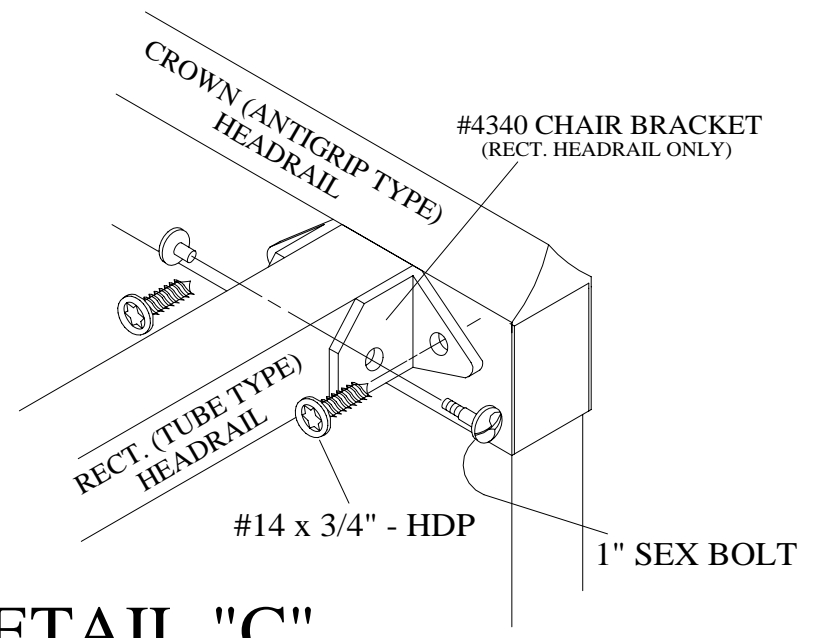
DETAIL "A"



DETAIL "B"

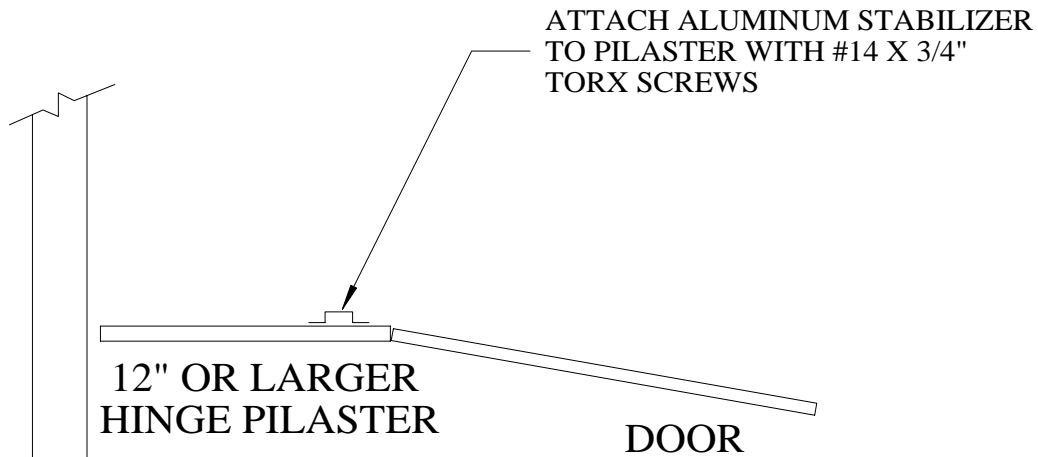
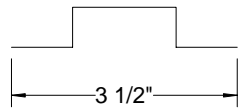


* = SAME CONNECTION AS DETAIL "A"
 BUT USE #14 x 1" SCREWS INTO
 PILASTER



DETAIL "C"

**ROCKVILLE
 PARTITIONS
 INCORPORATED**



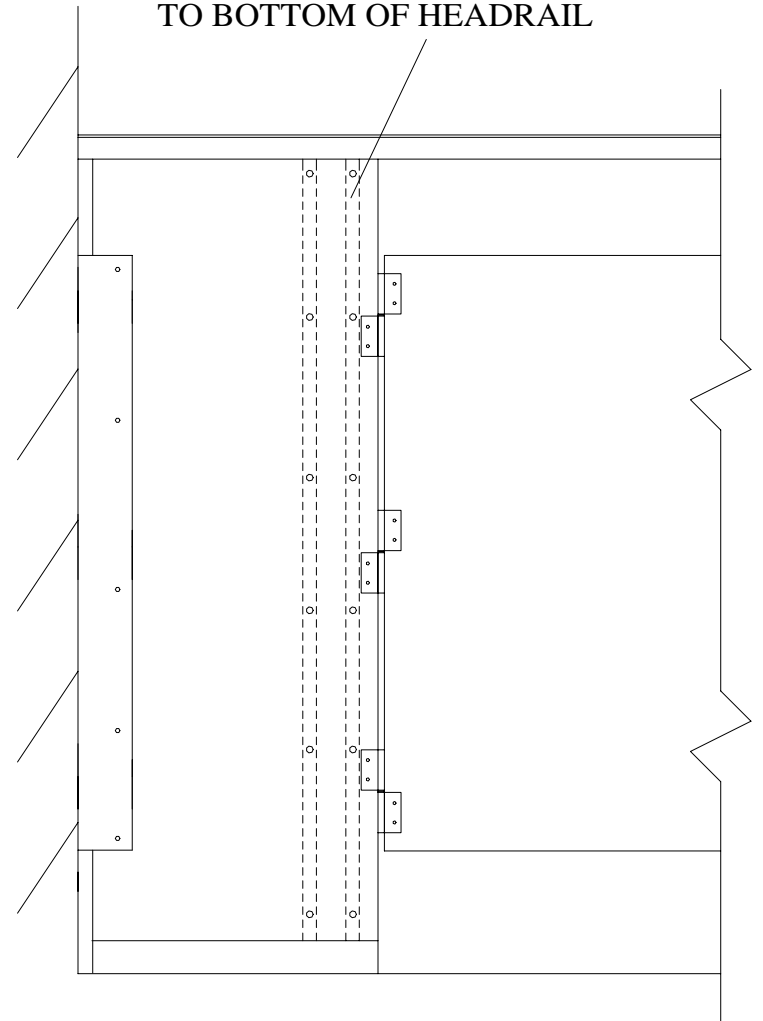
TOP VIEW

INSTALLER NOTE !!!

**FAILURE TO INSTALL STABILIZER
WILL VOID WARRANTY !!**

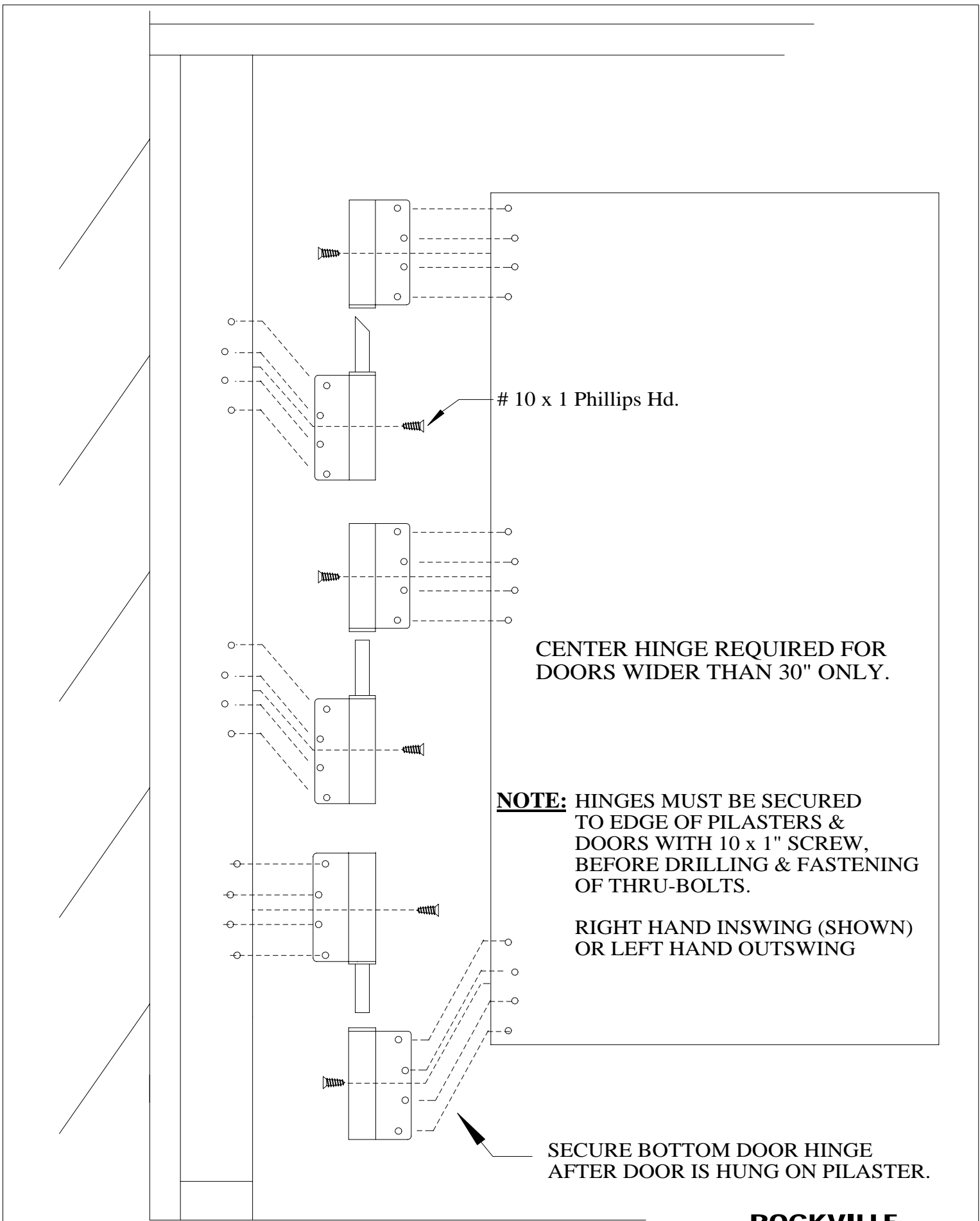
**OVERSIZED HINGE PILASTERS
INSTALLATION DETAIL**

**BRACE MOUNTS FROM TOP OF SHOE
TO BOTTOM OF HEADRAIL**



FRONT ELEVATION

**ROCKVILLE
PARTITIONS
INCORPORATED**



10 x 1 Phillips Hd.

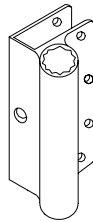
CENTER HINGE REQUIRED FOR DOORS WIDER THAN 30" ONLY.

NOTE: HINGES MUST BE SECURED TO EDGE OF PILASTERS & DOORS WITH 10 x 1" SCREW, BEFORE DRILLING & FASTENING OF THRU-BOLTS.

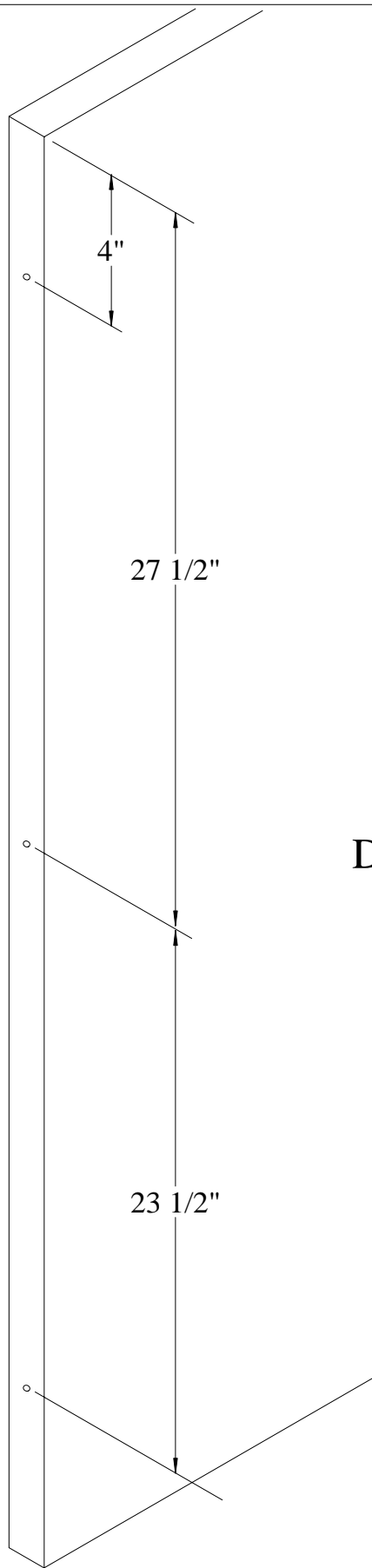
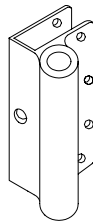
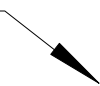
RIGHT HAND INSWING (SHOWN) OR LEFT HAND OUTSWING

SECURE BOTTOM DOOR HINGE AFTER DOOR IS HUNG ON PILASTER.

CENTER HINGE REQUIRED
FOR DOORS WIDER THAN
30" ONLY.



SECURE BOTTOM DOOR
HINGE AFTER DOOR IS
HUNG ON PILASTER.

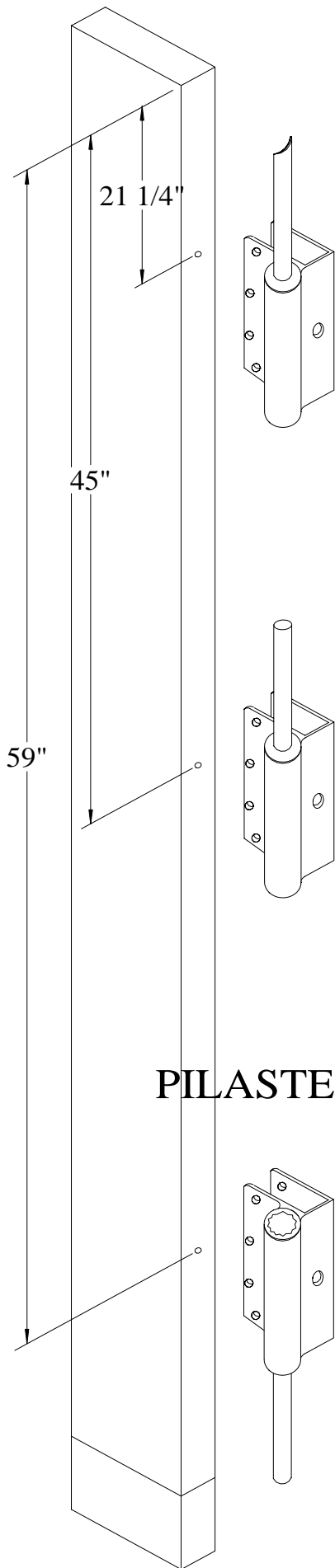


DOOR

55" HIGH DOORS

DOOR DRILLING TEMPLATE DETAIL

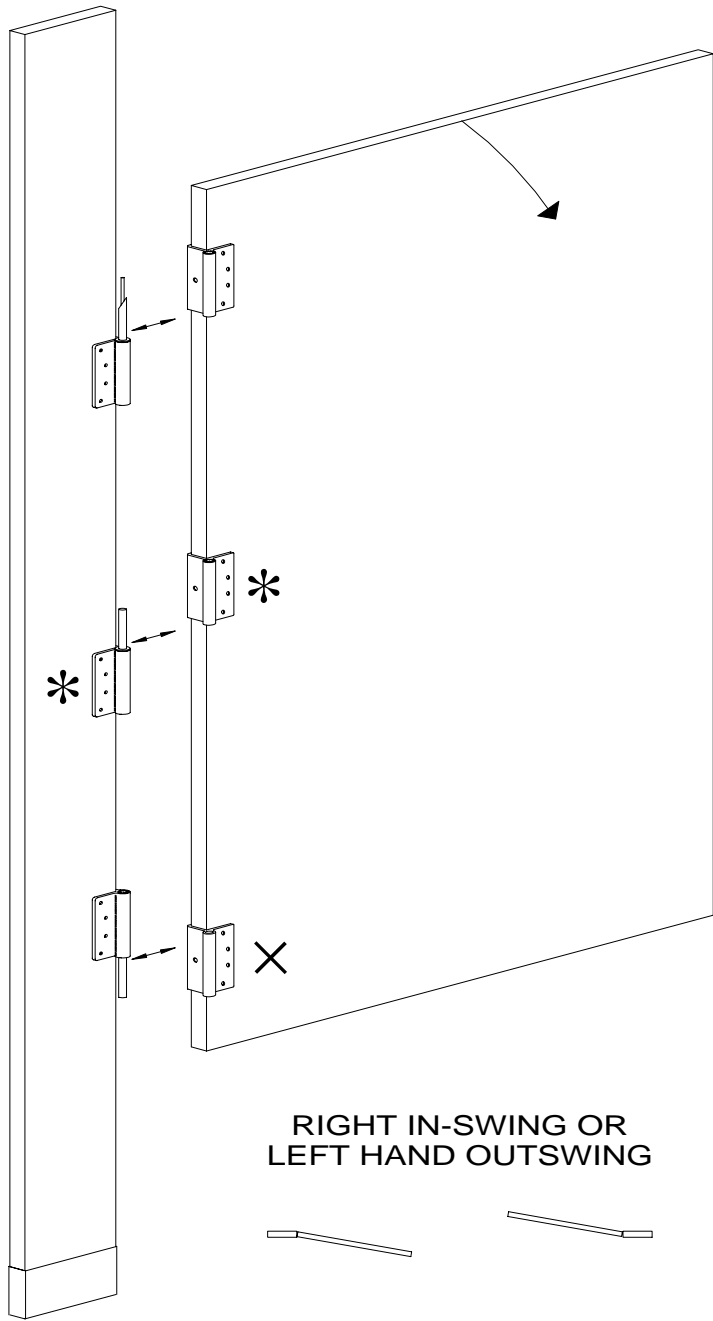
**ROCKVILLE
PARTITIONS
INCORPORATED**



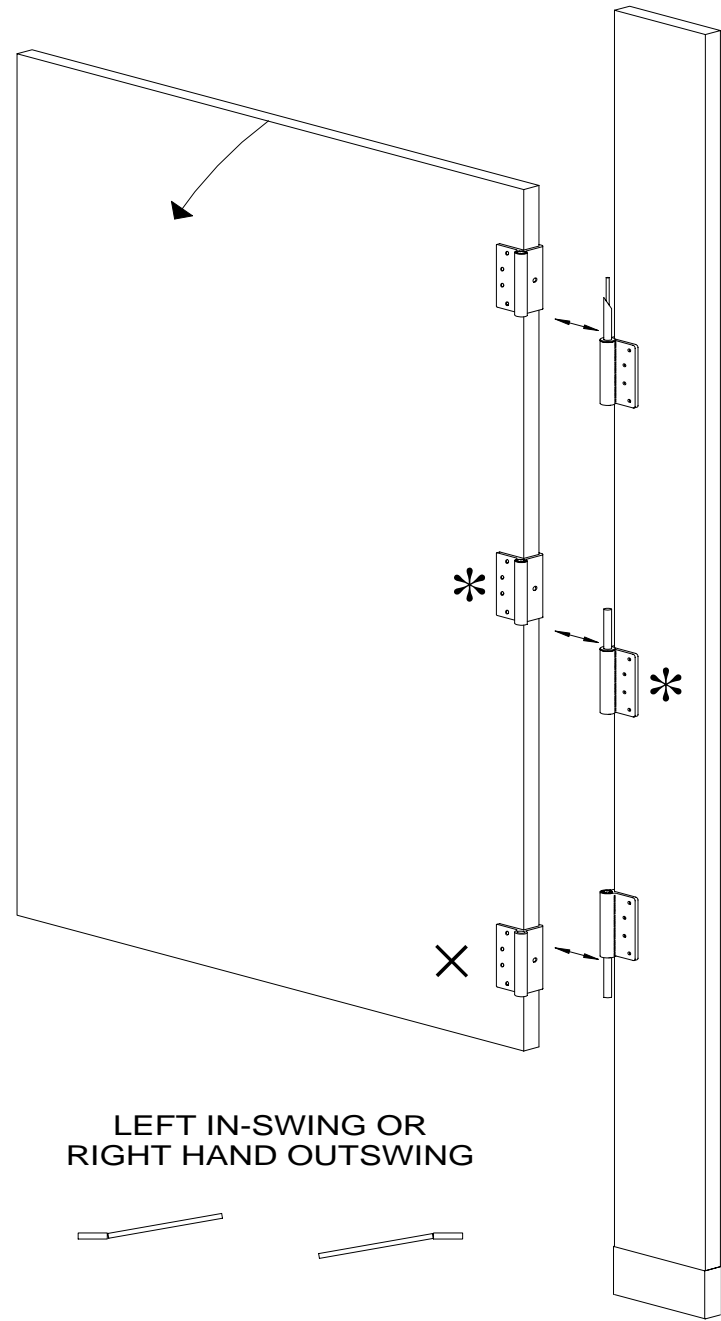
*
CENTER HINGE REQUIRED FOR
DOORS WIDER THAN 30" ONLY.

PILASTER

55" HIGH DOORS
ROCKVILLE
PARTITIONS
INCORPORATED



RIGHT IN-SWING OR
LEFT HAND OUTSWING



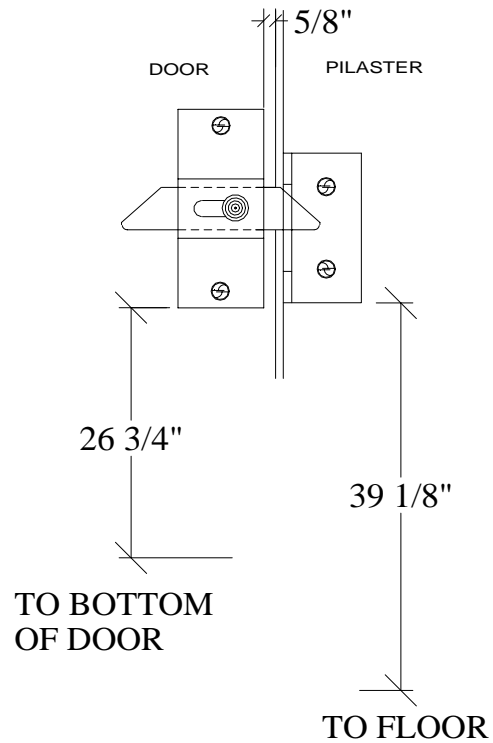
LEFT IN-SWING OR
RIGHT HAND OUTSWING

* NOTE: DOORS SMALLER THAN 30"
ONLY HAVE A TOP AND BOTTOM HINGE
THE MIDDLE HINGE IS ELIMINATED.

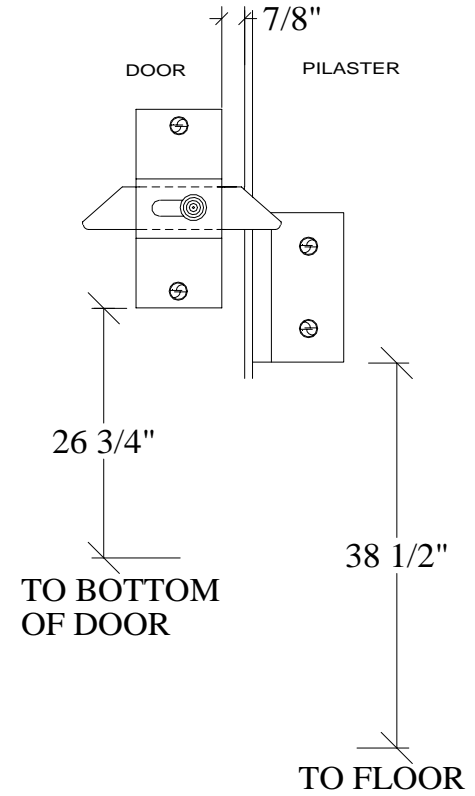
X NOTE: SECURE BOTTOM DOOR HINGE
AFTER DOOR IS HUNG ON PILASTER

Drawn by: SPS 1500AL HINGE
12/20/06 (HDP)

**ROCKVILLE
PARTITIONS
INCORPORATED**



INSWING DOORS

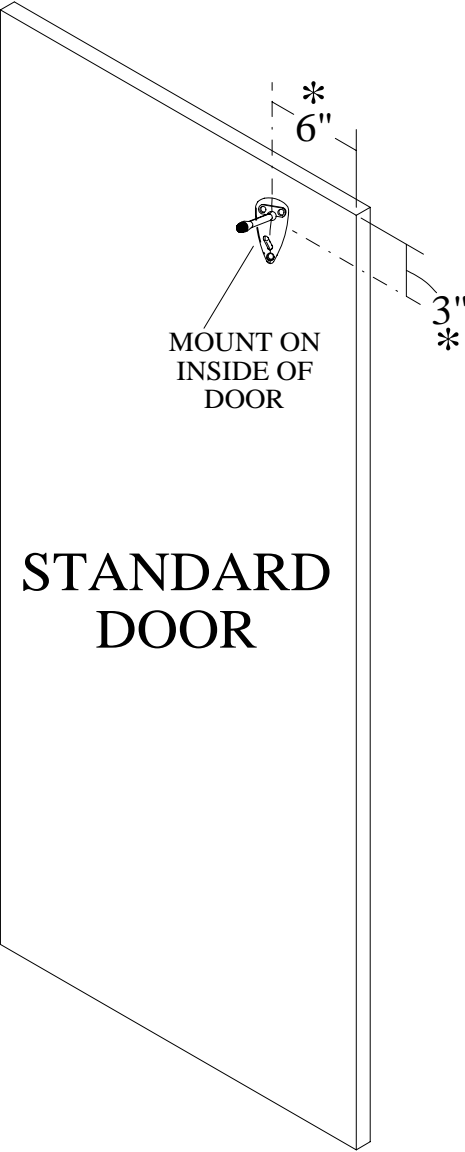
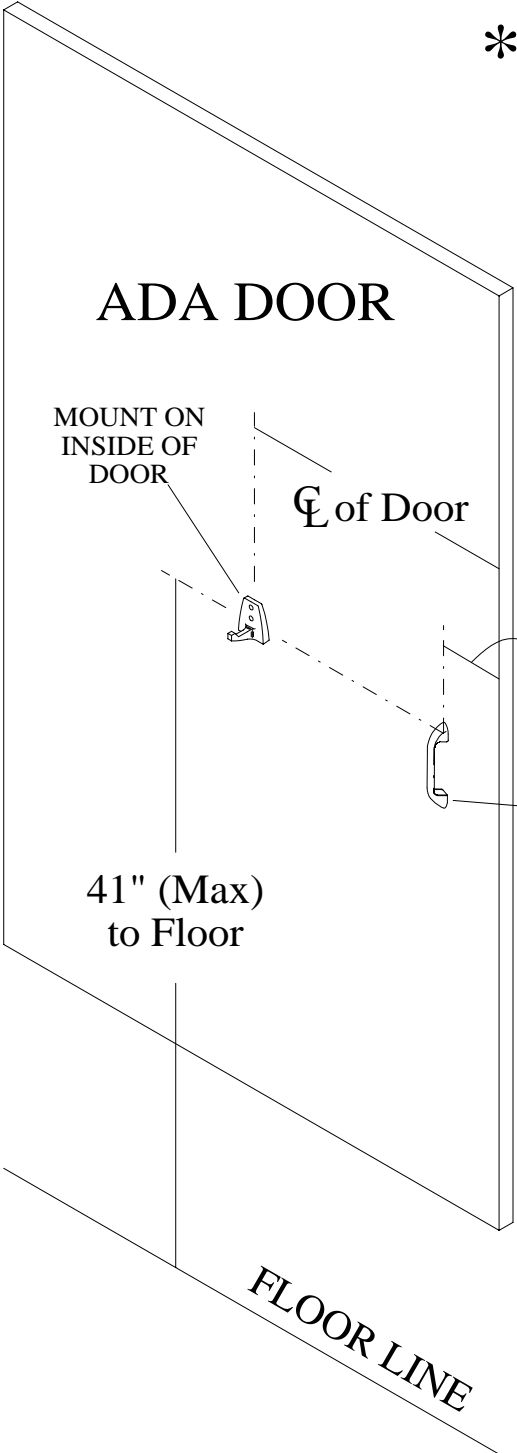


OUTSWING DOORS

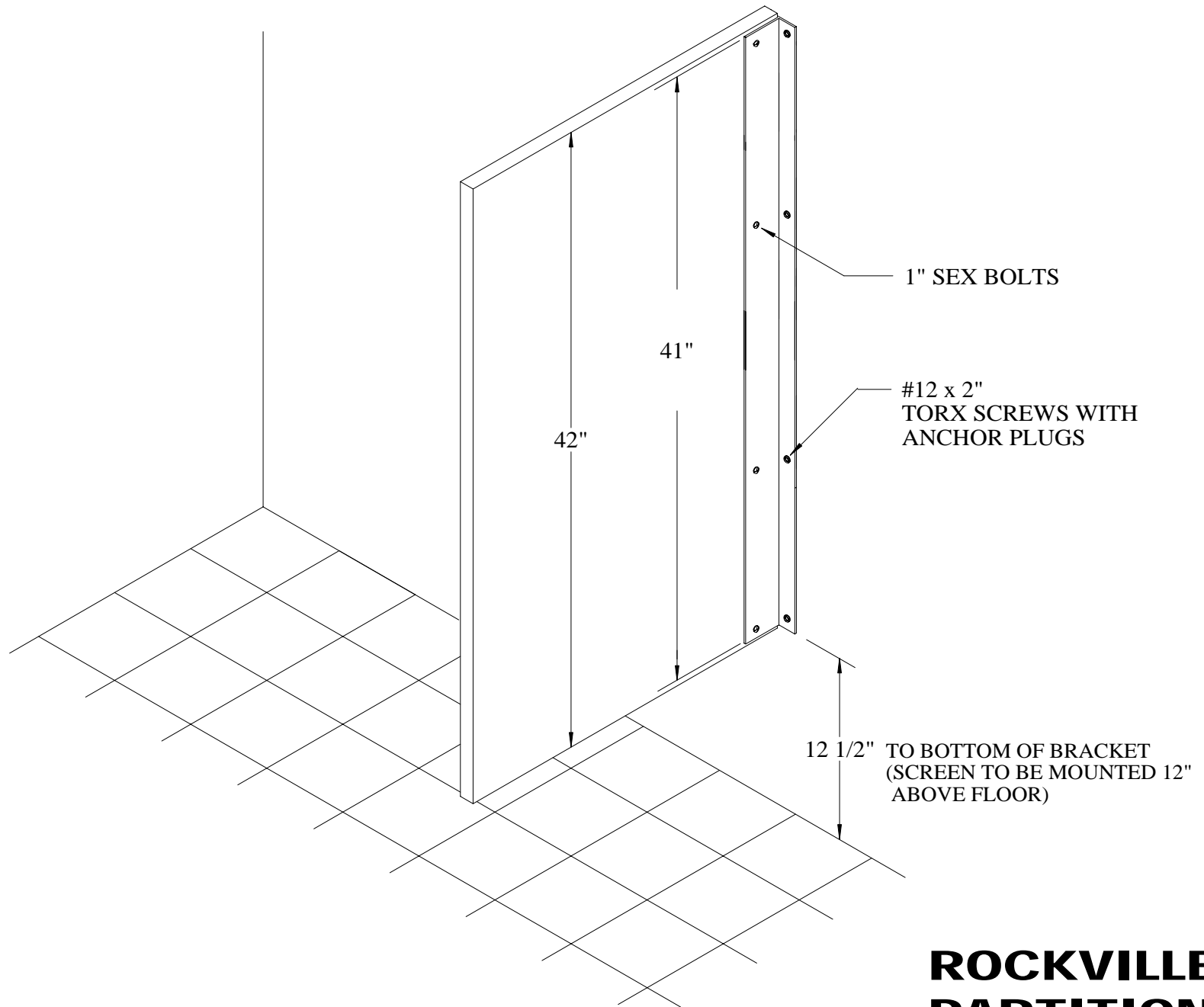
SLIDE LATCH & KEEPER
MOUNTING LOCATIONS

**ROCKVILLE
PARTITIONS
INCORPORATED**

* = DIMENSION CAN VARY TO SUIT JOB CONDITION

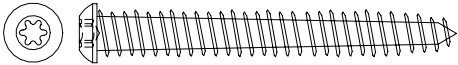
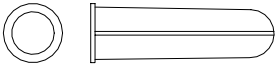
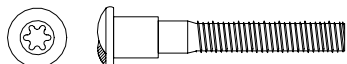
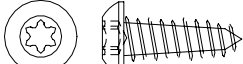
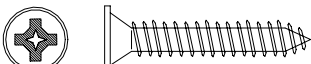
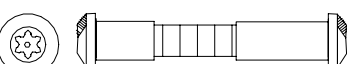



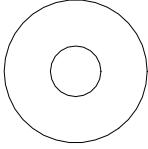


ROCKVILLE PARTITIONS INCORPORATED



WHF-7 URINAL SCREEN DETAIL

**ROCKVILLE
PARTITIONS
INCORPORATED**

	<p>2" STAINLESS STEEL TORX HEAD #12 SCREW- used for bracket-to-wall attachment, pilaster to floor attachment and headrail bracket-to-wall attachment. Drill 1/4" hole.</p>
	<p>PLASTIC ANCHOR- used in conjunction with the 2" x #12 screws.</p>
	<p>1 3/8" STAINLESS STEEL TORX #10 MALE MACHINE BOLT- used for attachment of door pull and slide latch on outswing doors only. Drill 1/4" hole.</p>
	<p>3/4" STAINLESS STEEL TORX HEAD #14 SCREW- used for continuous wall brackets on back of pilasters and also back of headrail at top of pilaster. Drill 3/16" hole.</p>
	<p>1" STAINLESS STEEL #10 HINGE SCREW- used for securing the hinges to the edges of the pilasters. Drill 1/8" hole.</p>
	<p>1" STAINLESS STEEL TORX #10 THRU-BOLT- used for bracket-to-panel, bracket-to-pilaster, headrail-to-chair bracket, pilaster shoe-to-pilaster and the following door hardware: hinges, latches, strikes and keepers. Drill 1/4" hole.</p>
	<p>5/8" STAINLESS STEEL #10 ONE-WAY SCREW- used for attaching the coat hook and for attachment of the wall stop on outswing doors. Drill 1/8" hole.</p>
	<p>1/2" STAINLESS STEEL #14 SCREW- used for attachment of anti-grip headrail to headrail block. Drill 3/16" hole.</p>
	<p>#14 x 1" SCREW- used for attachment of headrail block to pilaster at alcove connection. Drill 3/16" hole.</p>
	<p>1/4" x 3/4" x 1/16" STAINLESS STEEL WASHER- used for attachment of floor plate.</p>

