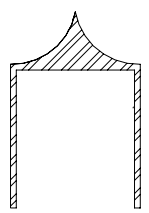


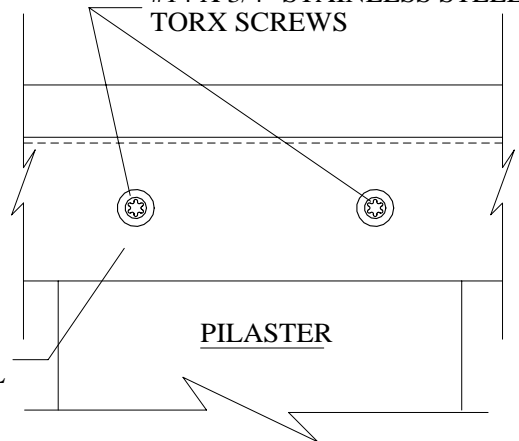
#12 X 2" STAINLESS STEEL TORX SCREWS WITH ANCHOR PLUGS

#14 X 3/4" STAINLESS STEEL TORX SCREWS



CROWN HEADRAIL

PILASTER



CONTINUOUS 54" PANEL "T" BRACKET

FINISH WALL

PANEL

1" SEX BOLTS STAINLESS STEEL

#14 X 3/4" STN. STL. TORX SCREW CONTINUOUS 54" "U" EXTRUSION

#A2000 ALUMINUM SURFACE MOUNTED SLIDE LATCH.

A12060 ALUM. INSWING STOP & KEEPER

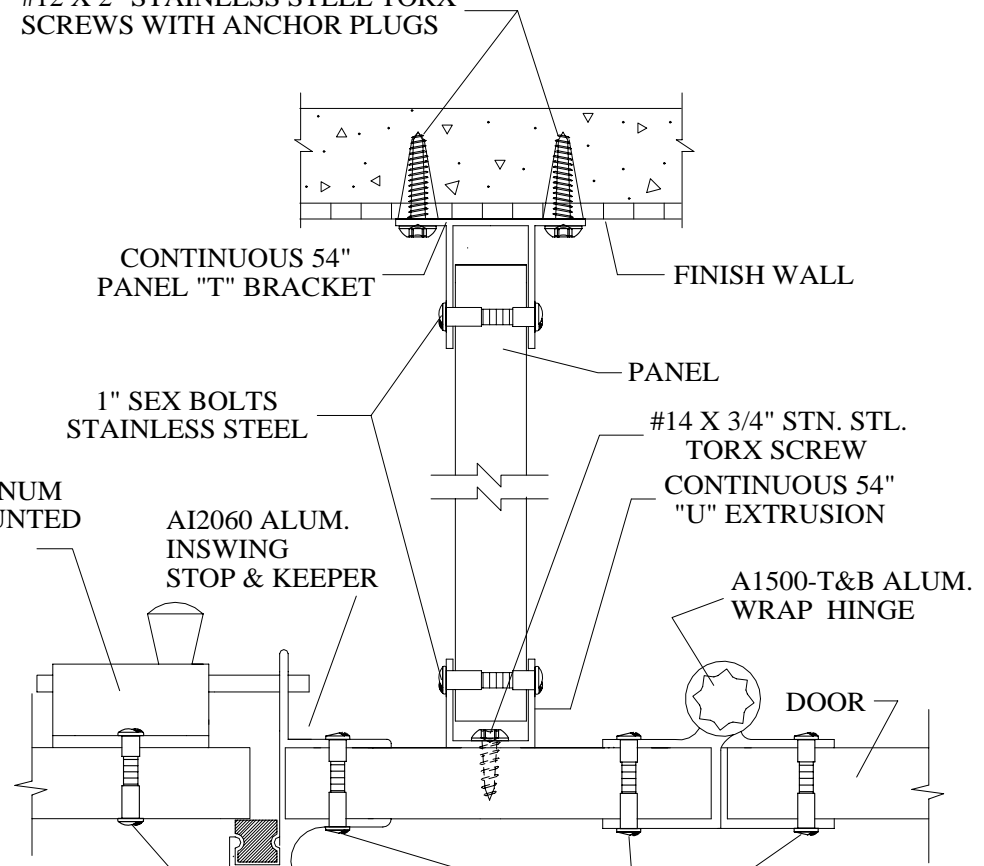
A1500-T&B ALUM. WRAP HINGE

DOOR

1" SEX BOLTS STAINLESS STEEL

A12060 ALUM. OUT SWING STOP & KEEPER

1" SEX BOLTS STAINLESS STEEL



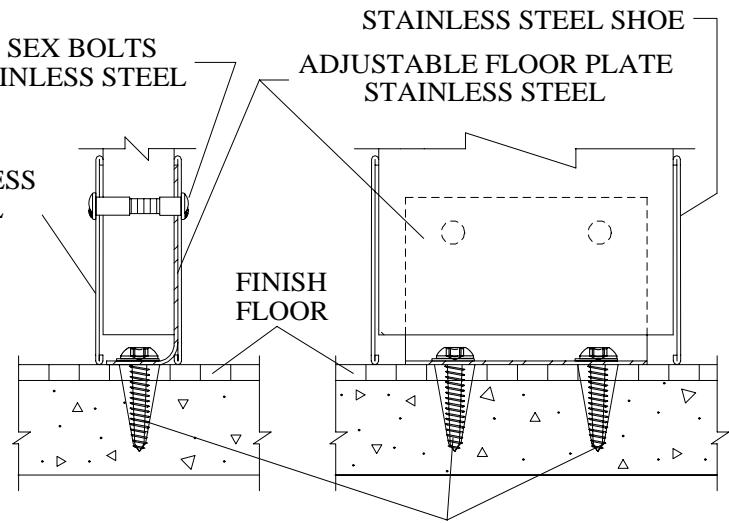
STAINLESS STEEL SHOE

ADJUSTABLE FLOOR PLATE STAINLESS STEEL

1" SEX BOLTS STAINLESS STEEL

STAINLESS STEEL SHOE

FINISH FLOOR



#12 X 2" STAINLESS STEEL TORX SCREWS WITH ANCHOR PLUGS

SERIES OH-7 CONSTRUCTION DETAILS

ROCKVILLE PARTITIONS INCORPORATED