

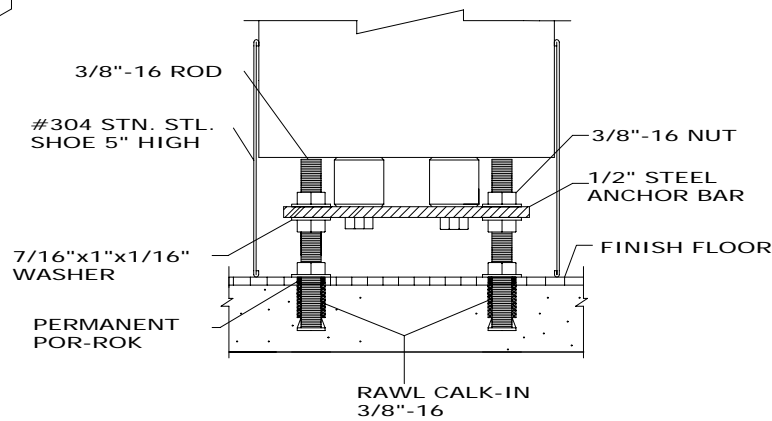
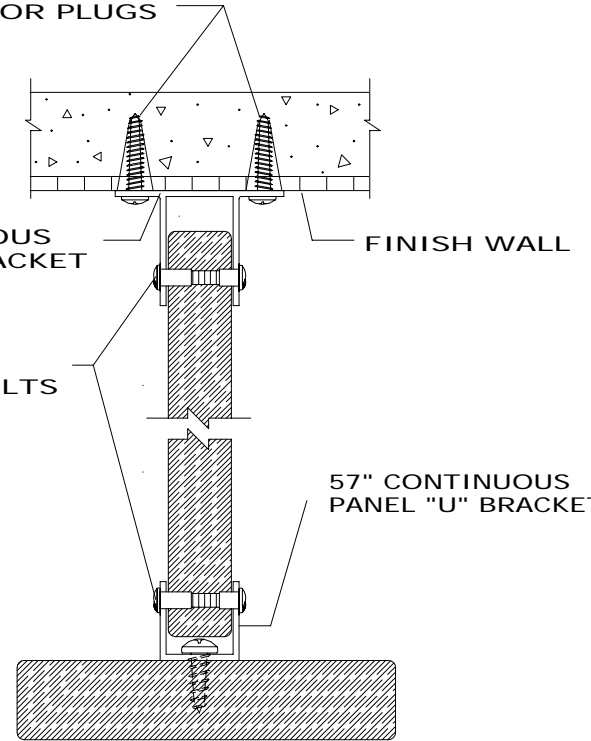
BACKING LOCATIONS

#12 X 2" SCREWS
WITH ANCHOR PLUGS
STN. STL.

57" CONTINUOUS
PANEL "T" BRACKET

STN. STL.
PANEL SEX BOLTS

57" CONTINUOUS
PANEL "U" BRACKET



FM-6 FLOOR CONNECTION

FBS -7 HDP
URINAL SCREEN

**ROCKVILLE
PARTITIONS
INCORPORATED**